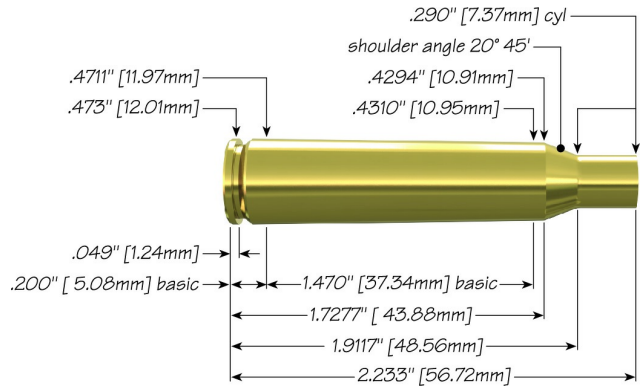



257 Roberts +P with 120 gr Spitzer BTSP



Max Case Length: 2.233"
Trim-to Length: 2.223"
Max Cart. OAL: 2.780"
RCBS Shell Holder: # 3
Test Firearm: Universal Receiver
Barrel Length: 24"



| 25 | Speer Part No. | Weight, grains | COAL Tested | Ballistic Coefficient | Sectional Density | |
|---|----------------------------|----------------|-------------|-----------------------|-------------------|------|
|  | 120 gr Spitzer BTSP | 1410 | 120 | 2.770" | .480 | .260 |

| Propellant | Cartridge Case | Primer | START CHARGE | | MAXIMUM CHARGE | |
|---------------------------|----------------|-------------|--------------|-------------------|----------------|-------------------|
| | | | Grain | Velocity (ft/sec) | Grain | Velocity (ft/sec) |
| Accurate 3100 | Winchester | CCI 200 | 38.0 | 2301 | 42.0 | 2507 |
| Alliant Power Pro 4000-MR | Federal | Federal 210 | 40.2 | 2589 | 44.7 | 2858 |
| Alliant Reloder 15 | Winchester | CCI 200 | 30.0 | 2322 | 34.0 | 2541 |
| Alliant Reloder 16 | Federal | Federal 210 | 38.5 | 2584 | 42.8 | 2836 |
| Alliant Reloder 17 | Federal | Federal 210 | 38.5 | 2586 | 42.5 | 2826 |
| Alliant Reloder 19 | Winchester | CCI 200 | 39.0 | 2476 | 43.0 | 2709 |
| Alliant Reloder 22 | Winchester | CCI 200 | 39.0 | 2399 | 43.0 | 2635 |
| Alliant Reloder 23 | Federal | Federal 210 | 41.2 | 2608 | 45.8 C | 2851 |
| Hodgdon H380 | Winchester | CCI 250 | 33.0 | 2275 | 37.0 | 2482 |

| | | | | | | |
|----------------------------|------------|-------------|------|------|-------------|------|
| Hodgdon H414 | Winchester | CCI250 | 39.0 | 2507 | 43.0 | 2767 |
| IMR 4064 | Winchester | CCI200 | 34.0 | 2423 | 38.0 | 2705 |
| IMR 4320 | Winchester | CCI200 | 32.0 | 2316 | 36.0 | 2545 |
| IMR 4350 | Winchester | CCI200 | 39.0 | 2512 | 43.0 | 2758 |
| IMR 4831 | Winchester | CCI200 | 41.0 | 2552 | 45.0 | 2793 |
| IMR 4895 | Winchester | CCI200 | 30.0 | 2249 | 34.0 | 2527 |
| IMR 7828 | Winchester | CCI200 | 40.0 | 2304 | 44.0 | 2583 |
| IMR SR 4759 (Reduced Load) | Winchester | CCI200 | 17.0 | 1776 | 19.0 | 2003 |
| Ramshot Hunter | Federal | Federal 210 | 39.8 | 2631 | 43.6 | 2817 |
| Winchester 760 | Winchester | CCI250 | 39.0 | 2496 | 43.0 | 2770 |

C = Compressed Load

speer-ammo.com