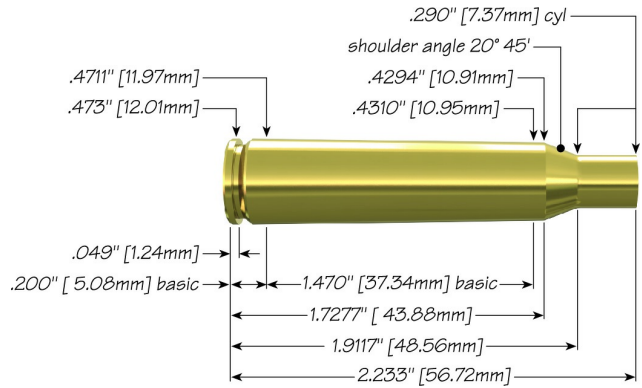




257 Roberts +P with 87 gr Spitzer SP Hot-Cor®



Max Case Length: 2.233"
Trim-to Length: 2.223"
Max Cart. OAL: 2.780"
RCBS Shell Holder: # 3
Test Firearm: Universal Receiver
Barrel Length: 24"



| 25 | Speer Part No. | Weight, grains | COAL Tested | Ballistic Coefficient | Sectional Density |
|-------------------------------------------------------------------------------------|------------------------------------------|----------------|-------------|-----------------------|-------------------|
|  | 87 gr Spitzer SP Hot-Cor® 1241 | 87 | 2.760" | .300 | .188 |
|  | 87 gr TNT® HP 1246 | 87 | 2.780" | .337 | .188 |

| Propellant | Cartridge Case | Primer | START CHARGE | | MAXIMUM CHARGE | |
|---------------------------|----------------|-------------|--------------|-------------------|----------------|-------------------|
| | | | Grain | Velocity (ft/sec) | Grain | Velocity (ft/sec) |
| Accurate 3100 | Winchester | CCI 200 | 48.0 | 2925 | 52.0 C | 3153 |
| Alliant Power Pro 2000-MR | Federal | Federal 210 | 41.6 | 2993 | 46.2 | 3295 |
| Alliant Power Pro 4000-MR | Federal | Federal 210 | 44.8 | 2994 | 49.5 C | 3287 |
| Alliant Reloder 15 | Winchester | CCI 200 | 39.0 | 2804 | 43.0 | 3129 |
| Alliant Reloder 16 | Federal | Federal 210 | 44.6 | 3044 | 49.5 C | 3379 |
| Alliant Reloder 17 | Federal | Federal 210 | 43.6 | 2940 | 48.4 | 3290 |
| Alliant Reloder 19 | Winchester | CCI 200 | 47.0 | 2947 | 51.0 C | 3187 |
| Hodgdon H380 | Winchester | CCI 250 | 42.0 | 2884 | 46.0 | 3170 |

| | | | | | | |
|----------------------------|------------|-------------|------|------|---------------|------|
| Hodgdon H414 | Winchester | CCI250 | 42.0 | 2726 | 46.0 | 3009 |
| Hodgdon H4350 | Winchester | CCI200 | 47.0 | 3161 | 51.0 C | 3381 |
| IMR 4350 | Winchester | CCI200 | 43.0 | 2876 | 47.0 | 3069 |
| IMR 4831 | Winchester | CCI200 | 47.0 | 2993 | 51.0 | 3226 |
| IMR 7828 | Winchester | CCI200 | 50.0 | 2955 | 54.0 | 3184 |
| IMR SR 4759 (Reduced Load) | Winchester | CCI200 | 15.0 | 1762 | 17.0 | 2008 |
| Ramshot Hunter | Federal | Federal 210 | 46.4 | 3106 | 51.6 | 3367 |
| Winchester 748 | Winchester | CCI250 | 39.0 | 2735 | 43.0 | 3056 |
| Winchester 760 | Winchester | CCI250 | 43.0 | 2868 | 47.0 | 3163 |

C = Compressed Load

speer-ammo.com