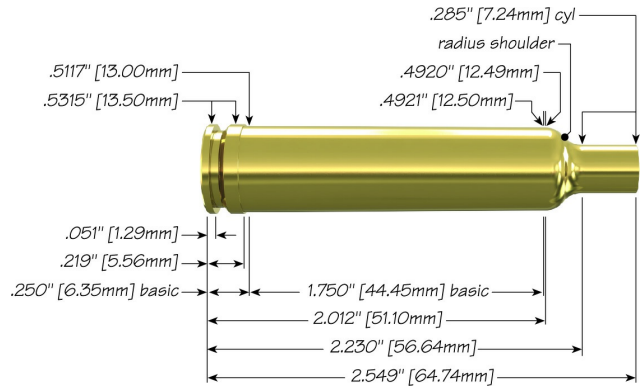





257 Weatherby Magnum with 100gr Spitzer SP Hot- Cor®



Max Case Length:	2.549"
Trim-to Length:	2.539"
Max Cart. OAL:	3.170"
RCBS Shell Holder:	# 4
Test Firearm:	Universal Receiver
Barrel Length:	24"



25	Speer Part No.	Weight, grains	COAL Tested	Ballistic Coefficient	Sectional Density	
	100 gr HP	1407	100	3.140"	.263	.216
	100 gr Spitzer BTSP	1408	100	3.150"	.393	.216
	100gr Spitzer SP Hot-Cor®	1405	100	3.150"	.334	.216

Propellant	Cartridge Case	Primer	START CHARGE		MAXIMUM CHARGE	
			Grain	Velocity (ft/sec)	Grain	Velocity (ft/sec)
Accurate MagPro	Federal	CCI 250	65.0	3197	67.0	3292
Alliant Power Pro 4000-MR	Weatherby	CCI 250	59.4	3111	66.0	3427
Alliant Reloder 19	Federal	CCI 250	61.0	3188	65.0	3405
Alliant Reloder 22	Federal	CCI 250	64.0	3225	68.0	3450
Alliant Reloder 23	Weatherby	CCI 250	62.6	3109	69.5	3445
Alliant Reloder 25	Federal	CCI 250	69.0	3395	73.0	3545

Alliant Reloder 26	Weatherby	CCI250	63.5	3111	70.6	3478
Alliant Reloder 33	Weatherby	CCI250	74.5	3067	82.8 C	3477
Hodgdon H1000	Federal	CCI250	69.0	3302	71.0	3405
Hodgdon Retumbo	Federal	CCI250	71.0	3283	73.0	3411
IMR 7828	Federal	CCI250	67.0	3306	69.0	3447
IMR 7977	Weatherby	CCI250	66.5	3055	73.9	3399
Ramshot Magnum	Federal	CCI250	70.0	3339	74.0	3494
Vihtavuori N560	Federal	CCI250	65.0	3290	67.0	3413

C = Compressed Load

speer-ammo.com