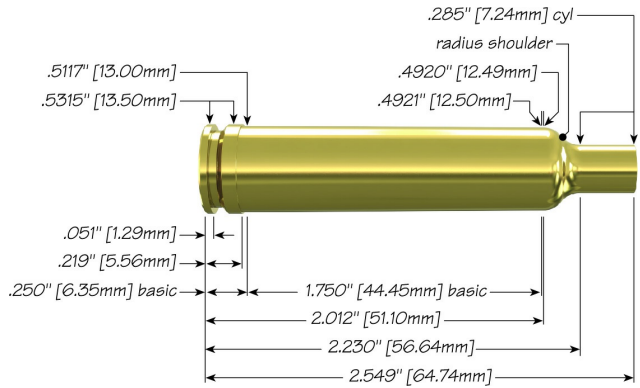



257 Weatherby Magnum with 120 gr Spitzer BTSP



Max Case Length: 2.549"
Trim-to Length: 2.539"
Max Cart. OAL: 3.170"
RCBS Shell Holder: # 4
Test Firearm: Universal Receiver
Barrel Length: 24"



25	Speer Part No.	Weight, grains	COAL Tested	Ballistic Coefficient	Sectional Density
 120 gr Spitzer BTSP	1410	120	3.170"	.480	.260

Propellant	Cartridge Case	Primer	START CHARGE		MAXIMUM CHARGE	
			Grain	Velocity (ft/sec)	Grain	Velocity (ft/sec)
Accurate MagPro	Federal	CCI 250	62.0	2927	64.0	3027
Alliant Power Pro 4000-MR	Weatherby	CCI 250	56.9	2919	61.9	3148
Alliant Reloder 22	Federal	CCI 250	59.0	2904	63.0	3120
Alliant Reloder 23	Weatherby	CCI 250	60.8	3031	64.1	3159
Alliant Reloder 25	Federal	CCI 250	63.0	3024	67.0	3236
Alliant Reloder 26	Weatherby	CCI 250	59.2	2897	65.8	3192
Alliant Reloder 33	Weatherby	CCI 250	69.5	2945	77.2	3234
Hodgdon H1000	Federal	CCI 250	64.5	3006	66.5	3108
Hodgdon H4831SC	Federal	CCI 250	61.0	3000	63.0	3103

Hodgdon Retumbo	Federal	CCI250	65.0	2948	69.0	3159
IMR 7828	Federal	CCI250	62.0	2988	64.0	3106
IMR 7977	Weatherby	CCI250	62.1	2875	68.9	3146
Ramshot Magnum	Federal	CCI250	66.0	3046	70.0	3211
Vihtavuori N560	Federal	CCI250	60.0	2963	64.0	3181

speer-ammo.com