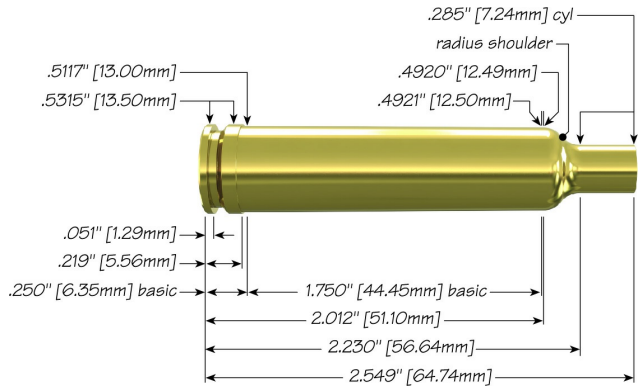




257 Weatherby Magnum with 87 gr Spitzer SP Hot- Cor®



Max Case Length:	2.549"
Trim-to Length:	2.539"
Max Cart. OAL:	3.170"
RCBS Shell Holder:	# 4
Test Firearm:	Universal Receiver
Barrel Length:	24"



25	Speer Part No.	Weight, grains	COAL Tested	Ballistic Coefficient	Sectional Density
	87 gr Spitzer SP Hot-Cor® 1241	87	3.150"	.300	.188
	87 gr TNT® HP 1246	87	3.170"	.337	.188

Propellant	Cartridge Case	Primer	START CHARGE		MAXIMUM CHARGE	
			Grain	Velocity (ft/sec)	Grain	Velocity (ft/sec)
Accurate MagPro	Federal	CCI 250	68.0	3400	70.0	3504
Alliant Reloder 19	Federal	CCI 250	64.0	3372	68.0	3637
Alliant Reloder 22	Federal	CCI 250	67.0	3429	71.0	3661
Alliant Reloder 25	Federal	CCI 250	69.0	3427	73.0 C	3670
Hodgdon Retumbo	Federal	CCI 250	74.0	3462	78.0 C	3672
IMR 4831	Federal	CCI 250	63.0	3433	65.0	3564
IMR 7828	Federal	CCI 250	67.0	3334	71.0	3604

Ramshot Magnum	Federal	CCI 250	74.0	3570	78.0	3731
Vihtavuori N560	Federal	CCI 250	68.0	3507	70.0	3651

C = Compressed Load

speer-ammo.com