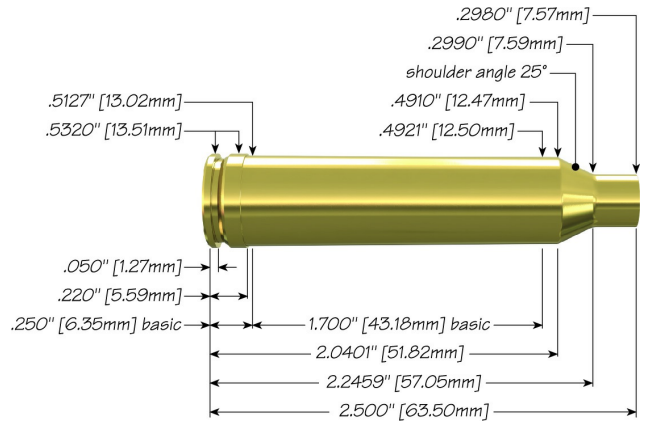



264 Winchester Magnum with 140 gr Spitzer SP Hot- Cor®



Max Case Length:	2.500"
Trim-to Length:	2.490"
Max Cart. OAL:	3.340"
RCBS Shell Holder:	# 4
Test Firearm:	Universal Receiver
Barrel Length:	24"



6.5mm	Speer Part No.	Weight, grains	COAL Tested	Ballistic Coefficient	Sectional Density	
	140 gr Spitzer SP Hot-Cor®	1441	140	3.320"	.498	.287

Propellant	Cartridge Case	Primer	START CHARGE		MAXIMUM CHARGE	
			Grain	Velocity (ft/sec)	Grain	Velocity (ft/sec)
Alliant Power Pro 4000-MR	Hornady	CCI 250	49.6	2631	55.0	2857
Alliant Reloder 19	Hornady	CCI 250	49.2	2655	54.6	2863
Alliant Reloder 22	Hornady	CCI 250	50.6	2695	55.8	2890
Alliant Reloder 23	Hornady	CCI 250	52.4	2698	56.9	2877
Alliant Reloder 25	Hornady	CCI 250	54.2	2709	60.1	2932
Alliant Reloder 26	Hornady	CCI 250	52.5	2699	58.1	2912
Alliant Reloder 33	Hornady	CCI 250	61.7	2739	68.2	2989
Alliant Reloder 50	Hornady	CCI 250	62.8	2773	69.3	2986
Hodgdon Retumbo	Hornady	CCI 250	56.4	2735	62.7	2966

Hodgdon US 869	Hornady	CCI250	67.6	2795	74.4	3050
IMR 7828	Hornady	CCI250	52.4	2678	58.2	2916
IMR 7977	Hornady	CCI250	55.9	2628	62.1	2890
Ramshot Magnum	Hornady	CCI250	56.8	2708	62.5	2929
Vihtavuori N560	Hornady	CCI250	51.6	2680	57.3	2911

speer-ammo.com