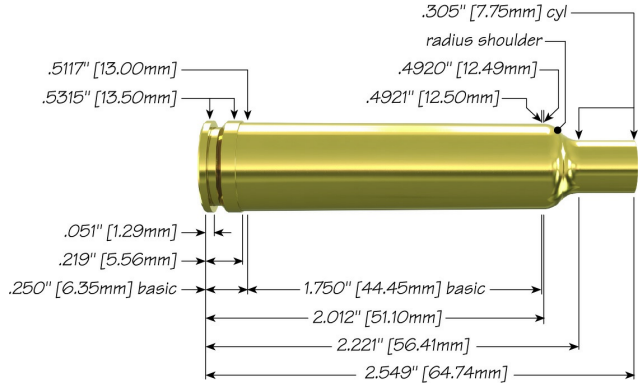



270 Weatherby Magnum with 100 gr HP



Max Case Length: 2.549"
Trim-to Length: 2.539"
Max Cart. OAL: 3.295"
RCBS Shell Holder: # 4
Test Firearm: Universal Receiver
Barrel Length: 24"



27	Speer Part No.	Weight, grains	COAL Tested	Ballistic Coefficient	Sectional Density
 100 gr HP	1447	100	3.250"	.201	.186

Propellant	Cartridge Case	Primer	START CHARGE		MAXIMUM CHARGE	
			Grain	Velocity (ft/sec)	Grain	Velocity (ft/sec)
Accurate MagPro	Federal	Federal 215	76.0	3451	80.0 C	3618
Alliant Power Pro 4000-MR	Federal	Federal 215	63.2	3276	70.2	3609
Alliant Reloder 19	Federal	Federal 215	69.0	3359	73.0	3570
Alliant Reloder 22	Federal	Federal 215	72.0	3423	76.0 C	3627
Alliant Reloder 23	Federal	Federal 215	65.5	3247	72.8	3590
Alliant Reloder 25	Federal	Federal 215	73.0	3270	77.0 C	3478
Alliant Reloder 26	Federal	Federal 215	68.2	3246	75.8	3674
Hodgdon H4831SC	Federal	Federal 215	71.0	3371	75.0	3534
Hodgdon Retumbo	Federal	Federal 215	75.0	3226	77.0 C	3329

IMR 4831	Federal	Federal 215	67.0	3360	71.0	3575
IMR 7828	Federal	Federal 215	72.0	3338	76.0	3531
IMR 7977	Federal	Federal 215	69.8	3169	77.5	3519
Ramshot Magnum	Federal	Federal 215	77.0	3386	81.0 C	3557
Vihtavuori N560	Federal	Federal 215	72.0	3062	76.0	3294

C = Compressed Load

speer-ammo.com