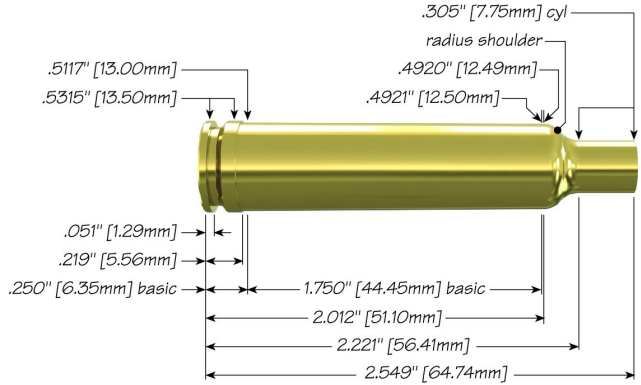





270 Weatherby Magnum with 130 gr Spitzer BTSP



Max Case Length: 2.549"
Trim-to Length: 2.539"
Max Cart. OAL: 3.295"
RCBS Shell Holder: # 4
Test Firearm: Universal Receiver
Barrel Length: 24"



27		Speer Part No.	Weight, grains	COAL Tested	Ballistic Coefficient	Sectional Density
	130 gr Grand Slam® SP	1465	130	3.250"	.332	.242
	130 gr Spitzer BTSP	1458	130	3.250"	.412	.242
	130 gr Spitzer SP Hot-Cor®	1459	130	3.250"	.383	.242

Propellant	Cartridge Case	Primer	START CHARGE		MAXIMUM CHARGE	
			Grain	Velocity (ft/sec)	Grain	Velocity (ft/sec)
Accurate MagPro	Federal	Federal 215	68.0	3014	72.0	3189
Alliant Power Pro 4000-MR	Federal	Federal 215	58.0	2965	64.3	3233
Alliant Reloder 19	Federal	Federal 215	61.0	3040	65.0	3176
Alliant Reloder 22	Federal	Federal 215	64.0	3048	68.0	3214
Alliant Reloder 23	Federal	Federal 215	60.1	2948	66.8	3241
Alliant Reloder 25	Federal	Federal 215	68.0	3080	72.0	3267

Alliant Reloder 26	Federal	Federal 215	62.6	2940	69.5	3287
Alliant Reloder 33	Federal	Federal 215	76.3	3044	79.9 C	3222
Hodgdon H4831SC	Federal	Federal 215	62.0	2980	66.0	3120
Hodgdon Retumbo	Federal	Federal 215	69.0	3026	73.0	3209
IMR 4831	Federal	Federal 215	60.0	3019	64.0	3181
IMR 7828	Federal	Federal 215	65.0	3054	69.0	3217
IMR 7977	Federal	Federal 215	66.2	2872	73.6	3202
Ramshot Magnum	Federal	Federal 215	71.0	3079	75.0	3254
Vihtavuori N560	Federal	Federal 215	65.0	3030	69.0	3222

C = Compressed Load

speer-ammo.com