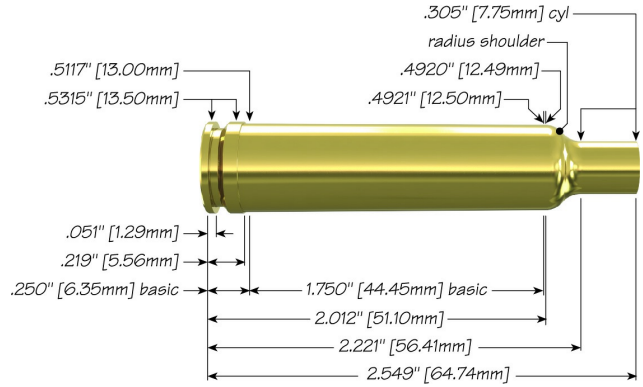





270 Weatherby Magnum with 150 gr Spitzer SP Hot- Cor®



Max Case Length:	2.549"
Trim-to Length:	2.539"
Max Cart. OAL:	3.295"
RCBS Shell Holder:	# 4
Test Firearm:	Universal Receiver
Barrel Length:	24"



27	Speer Part No.	Weight, grains	COAL Tested	Ballistic Coefficient	Sectional Density
	1608	150	3.260"	.378	.279
	1604	150	3.250"	.489	.279
	1605	150	3.250"	.455	.279

Propellant	Cartridge Case	Primer	START CHARGE		MAXIMUM CHARGE	
			Grain	Velocity (ft/sec)	Grain	Velocity (ft/sec)
Accurate 8700	Federal	Federal 215	77.0	2832	81.0 C	2957
Alliant Reloder 19	Federal	Federal 215	56.0	2790	60.0	2903
Alliant Reloder 22	Federal	Federal 215	59.0	2800	63.0	2942
Alliant Reloder 23	Federal	Federal 215	57.2	2770	63.6	3007
Alliant Reloder 25	Federal	Federal 215	62.0	2839	66.0	2966

Alliant Reloder 26	Federal	Federal 215	59.9	2776	66.5	3067
Alliant Reloder 33	Federal	Federal 215	70.5	2763	78.3 C	3108
Alliant Reloder 50	Federal	Federal 215	72.0	2678	80.0 C	2998
Hodgdon H4831SC	Federal	Federal 215	58.0	2771	62.0	2903
Hodgdon Retumbo	Federal	Federal 215	64.0	2862	68.0	2980
Hodgdon US 869	Federal	Federal 215	77.0	2862	81.0 C	2987
IMR 4831	Federal	Federal 215	56.0	2759	60.0	2914
IMR 7828	Federal	Federal 215	60.0	2803	64.0	2950
IMR 7977	Federal	Federal 215	62.6	2697	69.6	2988
Ramshot Magnum	Federal	Federal 215	68.0	2865	72.0	3028
Vihtavuori N560	Federal	Federal 215	58.0	2771	62.0	2902

C = Compressed Load

speer-ammo.com