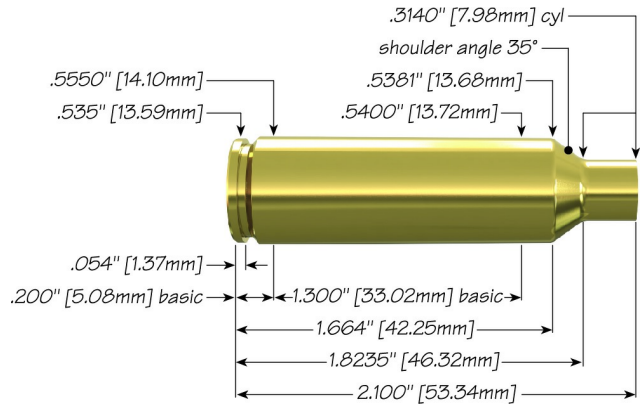



270 Winchester Short Magnum with 100 gr HP



Max Case Length: 2.100"
Trim-to Length: 2.090"
Max Cart. OAL: 2.860"
RCBS Shell Holder: # 43
Test Firearm: Universal Receiver
Barrel Length: 24"



27	Speer Part No.	Weight, grains	COAL Tested	Ballistic Coefficient	Sectional Density
 100 gr HP	1447	100	2.730"	.201	.186

Propellant	Cartridge Case	Primer	START CHARGE		MAXIMUM CHARGE	
			Grain	Velocity (ft/sec)	Grain	Velocity (ft/sec)
Accurate 5744 (reduced load)	Winchester	CCI 200	25.0	2010	26.0	2075
Alliant AR-Comp	Federal	Federal 215	49.6	3264	54.1	3450
Alliant Power Pro 2000-MR	Federal	Federal 215	56.0	3229	62.0	3517
Alliant Power Pro Varmint	Federal	Federal 215	52.0	3279	56.4	3456
Alliant Reloder 15	Winchester	CCI 200	58.0	3373	62.0	3564
Alliant Reloder 16	Federal	Federal 215	60.3	3200	67.0	3614
Alliant Reloder 17	Federal	Federal 215	59.6	3166	66.2	3606
Hodgdon CFE 223	Federal	Federal 215	52.6	3203	58.4	3455
Hodgdon Varget	Winchester	CCI 200	57.0	3433	61.0	3613

IMR 4064	Winchester	CCI 200	58.0	3451	62.0	3645
IMR 4320	Winchester	CCI 200	58.0	3381	62.0	3611
IMR 4350	Winchester	CCI 200	66.0	3426	70.0	3637
IMR 4895	Winchester	CCI 200	57.0	3387	61.0	3600
IMR 8208 XBR	Federal	Federal 215	47.2	3184	52.4	3431
Ramshot TAC	Federal	Federal 215	49.9	3260	53.9	3408

speer-ammo.com