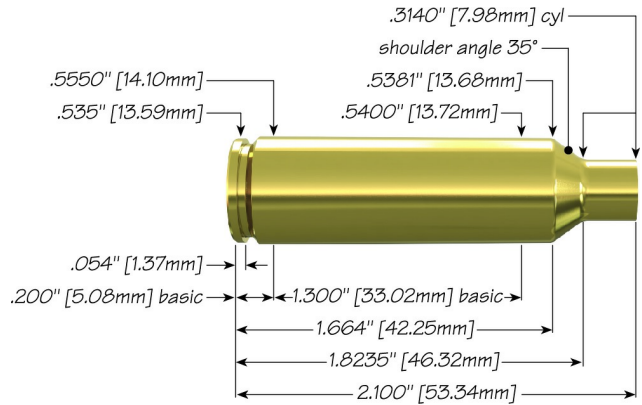





# 270 Winchester Short Magnum with 130 gr Spitzer SP Hot-Cor®



<b>Max Case Length:</b>	2.100"
<b>Trim-to Length:</b>	2.090"
<b>Max Cart. OAL:</b>	2.860"
<b>RCBS Shell Holder:</b>	# 43
<b>Test Firearm:</b>	Universal Receiver
<b>Barrel Length:</b>	24"



27	Speer Part No.	Weight, grains	COAL Tested	Ballistic Coefficient	Sectional Density
	<b>130 gr Grand Slam® SP</b> 1465	130	2.670"	.332	.242
	<b>130 gr Spitzer BTSP</b> 1458	130	2.700"	.412	.242
	<b>130 gr Spitzer SP Hot-Cor®</b> 1459	130	2.700"	.383	.242

Propellant	Cartridge Case	Primer	START CHARGE		MAXIMUM CHARGE	
			Grain	Velocity (ft/sec)	Grain	Velocity (ft/sec)
Accurate 3100	Winchester	CCI 200	62.0	3039	<b>66.0</b>	3213
Accurate 5744 (reduced load)	Winchester	CCI 200	25.0	1940	<b>27.0</b>	2048
Alliant Power Pro 4000-MR	Federal	Federal 215	57.5	2915	<b>63.9</b>	3233
Alliant Reloder 16	Federal	Federal 215	56.2	2935	<b>62.4</b>	3219
Alliant Reloder 17	Federal	Federal 215	55.1	2985	<b>61.2</b>	3216

Alliant Reloder 19	Winchester	CCI 200	62.0	3097	<b>66.0</b>	3241
Alliant Reloder 22	Winchester	CCI 200	62.0	3096	<b>66.0</b>	3228
Alliant Reloder 23	Federal	Federal 215	59.4	2921	<b>66.0 C</b>	3230
Alliant Reloder 26	Federal	Federal 215	61.3	2917	<b>68.1</b>	3289
Hodgdon H1000	Federal	Federal 215	64.5	2945	<b>71.7 C</b>	3215
Hodgdon H4350	Winchester	CCI 200	54.0	3013	<b>58.0</b>	3163
Hodgdon H4831SC	Winchester	CCI 200	59.0	3035	<b>63.0</b>	3173
IMR 4350	Winchester	CCI 200	56.0	3026	<b>60.0</b>	3183
IMR 4831	Winchester	CCI 200	58.0	3067	<b>62.0</b>	3226
IMR 7828	Winchester	CCI 200	62.0	3105	<b>66.0</b>	3250
Ramshot Hunter	Federal	Federal 215	57.1	2907	<b>63.4</b>	3172
Vihtavuori N160	Federal	Federal 215	57.7	2758	<b>64.1</b>	3120

C = Compressed Load

[speer-ammo.com](http://speer-ammo.com)