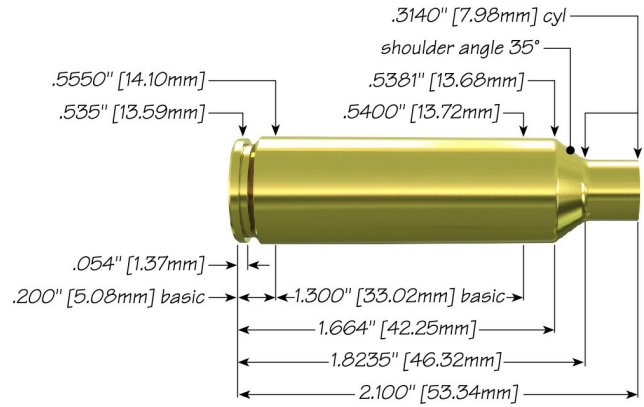





# 270 Winchester Short Magnum with 150 gr Spitzer BTSP



<b>Max Case Length:</b>	2.100"
<b>Trim-to Length:</b>	2.090"
<b>Max Cart. OAL:</b>	2.860"
<b>RCBS Shell Holder:</b>	# 43
<b>Test Firearm:</b>	Universal Receiver
<b>Barrel Length:</b>	24"



27	Speer Part No.	Weight, grains	COAL Tested	Ballistic Coefficient	Sectional Density
	1608	150	2.700"	.378	.279
	1604	150	2.700"	.489	.279
	1605	150	2.670"	.455	.279

Propellant	Cartridge Case	Primer	START CHARGE		MAXIMUM CHARGE	
			Grain	Velocity (ft/sec)	Grain	Velocity (ft/sec)
Accurate 3100	Winchester	CCI 200	56.0	2796	<b>60.0</b>	2848
Alliant Power Pro 4000-MR	Federal	Federal 215	55.0	2763	<b>61.1 C</b>	3041
Alliant Reloder 17	Federal	Federal 215	50.9	2738	<b>56.5</b>	2994
Alliant Reloder 19	Winchester	CCI 200	56.0	2831	<b>60.0</b>	2990
Alliant Reloder 22	Winchester	CCI 200	57.0	2839	<b>61.0</b>	3009

Alliant Reloder 23	Federal	Federal 215	57.0	2773	<b>63.1 C</b>	3037
Alliant Reloder 25	Winchester	CCI 200	60.0	2882	<b>64.0</b>	3058
Alliant Reloder 26	Federal	Federal 215	58.3	2787	<b>64.8 C</b>	3088
Hodgdon H1000	Federal	Federal 215	61.0	2817	<b>67.8 C</b>	3036
Hodgdon H4831SC	Winchester	CCI 200	56.0	2776	<b>60.0</b>	2959
IMR 4350	Winchester	CCI 200	51.0	2757	<b>55.0</b>	2930
IMR 4831	Winchester	CCI 200	54.0	2774	<b>58.0</b>	2959
IMR 7828	Winchester	CCI 200	58.0	2796	<b>62.0</b>	3011
Ramshot Magnum	Federal	Federal 215	62.7	2771	<b>69.7 C</b>	3093
Vihtavouri N165	Federal	Federal 215	60.2	2682	<b>66.9 C</b>	3007

C = Compressed Load

[speer-ammo.com](http://speer-ammo.com)