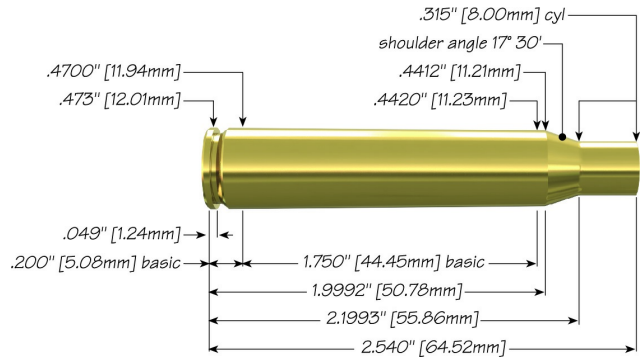



280 Remington (7mm Remington Express) with 110 gr TNT® HP



Max Case Length:	2.540"
Trim-to Length:	2.530"
Max Cart. OAL:	3.330"
RCBS Shell Holder:	# 3
Test Firearm:	Universal Receiver
Barrel Length:	24"



7mm	Speer Part No.	Weight, grains	COAL Tested	Ballistic Coefficient	Sectional Density
 110 gr TNT® HP	1616	110	3.300"	.384	.195

Propellant	Cartridge Case	Primer	START CHARGE		MAXIMUM CHARGE	
			Grain	Velocity (ft/sec)	Grain	Velocity (ft/sec)
Accurate 3100	Remington	CCI 200	60.0	3043	62.0 C	3143
Accurate 4350	Remington	CCI 200	56.0	2872	60.0	3187
Alliant AR-Comp	Federal	Federal 210	44.5	3025	48.6	3213
Alliant Power Pro 4000-MR	Federal	Federal 210	52.7	2916	58.6	3302
Alliant Reloder 15	Federal	Federal 210	47.3	2972	52.5	3257
Alliant Reloder 16	Federal	Federal 210	53.3	3044	59.2	3375
Alliant Reloder 17	Federal	Federal 210	51.7	2983	56.6	3273
Alliant Reloder 19	Remington	CCI 200	59.0	2991	63.0 C	3286
Hodgdon H4350	Remington	CCI 200	55.0	2963	59.0	3261

Hodgdon Varget	Remington	CCI 200	45.0	2773	49.0	3026
IMR 3031	Remington	CCI 200	44.0	2814	48.0	3061
IMR 4064	Remington	CCI 200	47.0	2950	51.0	3196
IMR 4350	Remington	CCI 200	55.0	2912	59.0	3215
IMR 4831	Remington	CCI 200	60.0	3117	62.0 C	3237
IMR 4895	Remington	CCI 200	45.0	2883	49.0	3133
Winchester 760	Remington	CCI 250	53.0	2971	57.0	3190

C = Compressed Load

speer-ammo.com