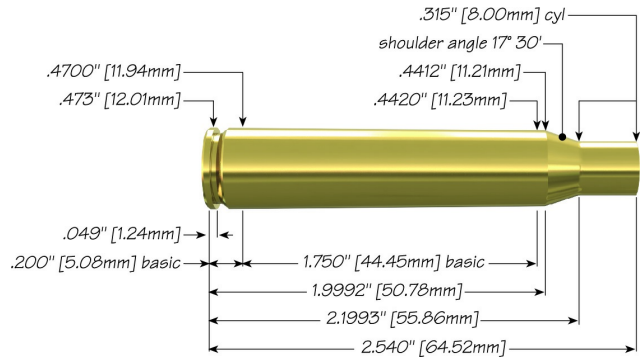





280 Remington (7mm Remington Express) with 160 gr Spitzer BTSP



Max Case Length:	2.540"
Trim-to Length:	2.530"
Max Cart. OAL:	3.330"
RCBS Shell Holder:	# 3
Test Firearm:	Universal Receiver
Barrel Length:	24"



7mm	Speer Part No.	Weight, grains	COAL Tested	Ballistic Coefficient	Sectional Density	
	160 gr Grand Slam® SP	1638	160	3.265"	.389	.283
	160 gr Spitzer BTSP	1634	160	3.200"	.519	.283
	160 gr Spitzer Hot-Cor®	1635	160	3.200"	.504	.283

Propellant	Cartridge Case	Primer	START CHARGE		MAXIMUM CHARGE	
			Grain	Velocity (ft/sec)	Grain	Velocity (ft/sec)
Accurate 3100	Remington	CCI 200	53.0	2637	55.0 C	2725
Accurate 4350	Remington	CCI 200	50.0	2691	52.0	2854
Alliant Power Pro 4000-MR	Federal	Federal 210	46.2	2526	51.3	2764
Alliant Reloder 16	Federal	Federal 210	45.2	2564	49.9	2754
Alliant Reloder 17	Federal	Federal 210	45.7	2537	50.6	2774

Alliant Reloder 19	Remington	CCI200	53.0	2658	55.0	2813
Alliant Reloder 22	Remington	CCI200	54.0	2707	56.0	2807
Alliant Reloder 23	Federal	Federal 210	48.8	2583	54.2 C	2795
Alliant Reloder 26	Federal	Federal 210	49.9	2625	54.9 C	2836
Hodgdon H414	Remington	CCI250	44.0	2468	48.0	2631
Hodgdon H4350	Remington	CCI200	47.0	2571	51.0	2828
Hodgdon H4831SC	Remington	CCI200	53.0	2697	55.0	2773
IMR 4064	Remington	CCI200	41.0	2492	45.0	2677
IMR 4350	Remington	CCI200	49.0	2522	53.0	2791
IMR 4831	Remington	CCI200	52.0	2686	54.0	2808
IMR 4895	Remington	CCI200	39.0	2412	43.0	2624
IMR 7828	Remington	CCI200	55.0	2654	57.0	2743
IMR SR 4759 (Reduced Load)	Remington	CCI200	22.0	1711	26.0	2008
Ramshot Hunter	Federal	Federal 210	45.9	2491	50.7	2711

C = Compressed Load