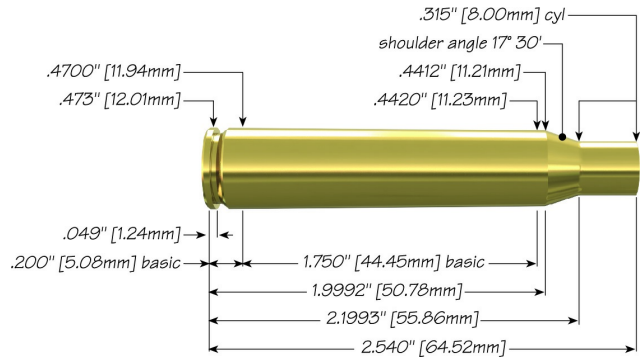



# 280 Remington (7mm Remington Express) with 175 gr Grand Slam® SP



<b>Max Case Length:</b>	2.540"
<b>Trim-to Length:</b>	2.530"
<b>Max Cart. OAL:</b>	3.330"
<b>RCBS Shell Holder:</b>	# 3
<b>Test Firearm:</b>	Universal Receiver
<b>Barrel Length:</b>	24"



7mm	Speer Part No.	Weight, grains	COAL Tested	Ballistic Coefficient	Sectional Density
	1643	175	3.260"	.436	.310

Propellant	Cartridge Case	Primer	START CHARGE		MAXIMUM CHARGE	
			Grain	Velocity (ft/sec)	Grain	Velocity (ft/sec)
Accurate 3100	Remington	CCI 200	49.0	2416	51.0	2520
Alliant Power Pro 4000-MR	Federal	Federal 210	46.3	2379	51.4	2639
Alliant Reloder 16	Federal	Federal 210	45.3	2404	50.3	2622
Alliant Reloder 17	Federal	Federal 210	45.1	2357	50.1	2633
Alliant Reloder 19	Remington	CCI 200	48.0	2420	52.0	2597
Alliant Reloder 22	Remington	CCI 200	51.0	2520	53.0	2616
Alliant Reloder 23	Federal	Federal 210	48.7	2433	54.1 C	2667
Alliant Reloder 26	Federal	Federal 210	50.4	2476	55.4	2718
Hodgdon H1000	Remington	CCI 200	53.0	2434	57.0 C	2615

Hodgdon H414	Remington	CCI250	44.0	2401	<b>46.0</b>	2461
Hodgdon H4350	Remington	CCI200	43.0	2388	<b>47.0</b>	2555
Hodgdon H4831SC	Remington	CCI200	50.0	2454	<b>52.0</b>	2558
IMR 4350	Remington	CCI200	45.0	2338	<b>49.0</b>	2578
IMR 4831	Remington	CCI200	48.0	2479	<b>50.0</b>	2570
IMR 7828	Remington	CCI200	51.0	2465	<b>53.0</b>	2568
IMR SR 4759 (Reduced Load)	Remington	CCI200	21.0	1490	<b>25.0</b>	1753
Ramshot Magnum	Federal	Federal 210	55.4	2481	<b>61.5 C</b>	2729
Vihtavuori N560	Remington	CCI200	50.0	2567	<b>52.0</b>	2644
Winchester 760	Remington	CCI250	44.0	2370	<b>46.0</b>	2452

C = Compressed Load

[speer-ammo.com](http://speer-ammo.com)