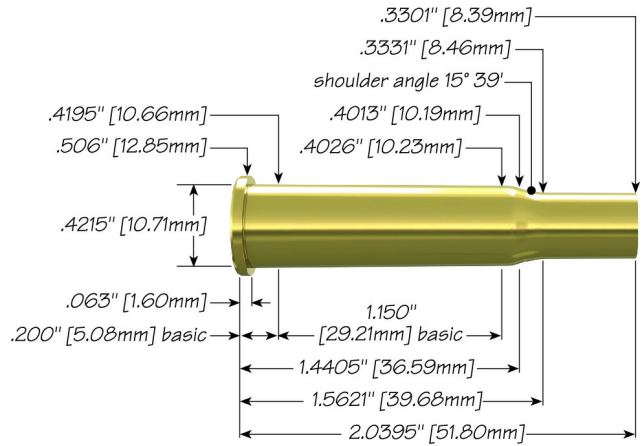


# 30-30 Winchester with 130 gr SPFN Hot-Cor®



<b>Max Case Length:</b>	2.0395"
<b>Trim-to Length:</b>	2.030"
<b>Max Cart. OAL:</b>	2.550"
<b>RCBS Shell Holder:</b>	# 2
<b>Test Firearm:</b>	Universal Receiver
<b>Barrel Length:</b>	24"



30	Speer Part No.	Weight, grains	COAL Tested	Ballistic Coefficient	Sectional Density
----	----------------	----------------	-------------	-----------------------	-------------------



**130 gr SPFN Hot-Cor®**

2007 130 2.550 .213 .196

Propellant	Cartridge Case	Primer	START CHARGE		MAXIMUM CHARGE	
			Grain	Velocity (ft/sec)	Grain	Velocity (ft/sec)
Alliant AR-Comp	Federal	Federal 210	32.4	2359	<b>36.0 C</b>	2594
Alliant Power Pro Varmint	Federal	Federal 210	32.9	2363	<b>35.7</b>	2516
Hodgdon CFE 223	Federal	Federal 210	37.8	2411	<b>42.0 C</b>	2643

[speer-ammo.com](http://speer-ammo.com)