

30-30 Winchester with 150 gr SPFN Hot-Cor®



Max Case Length: 2.0395"

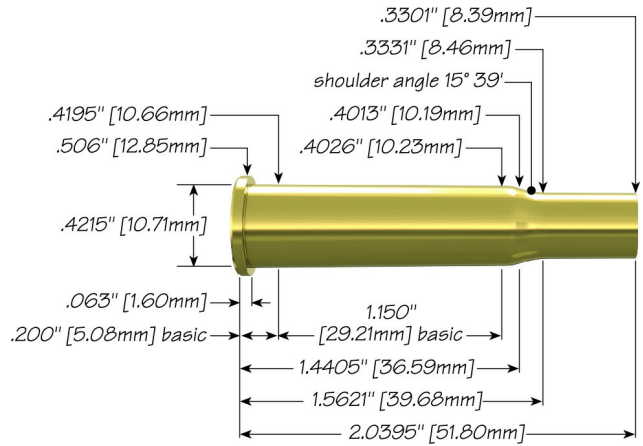
Trim-to Length: 2.030"


Max Cart. OAL: 2.550"

RCBS Shell Holder: # 2

Test Firearm: Universal Receiver

Barrel Length: 24"



30	Speer Part No.	Weight, grains	COAL Tested	Ballistic Coefficient	Sectional Density
 150 gr SPFN Hot-Cor®	2011	150	2.550	.255	.226

Propellant	Cartridge Case	Primer	START CHARGE		MAXIMUM CHARGE	
			Grain	Velocity (ft/sec)	Grain	Velocity (ft/sec)
Alliant AR-Comp	Federal	Federal 210	31.2	2266	33.8 C	2425
Alliant Power Pro 2000-MR	Federal	Federal 210	36.8	2298	40.9 C	2533
Alliant Power Pro Varmint	Federal	Federal 210	30.2	2168	33.4	2355
Hodgdon CFE 223	Federal	Federal 210	36.3	2318	40.0 C	2516
Hodgdon LEVERevolution	Federal	Federal 210	34.6	2295	38.2 C	2516