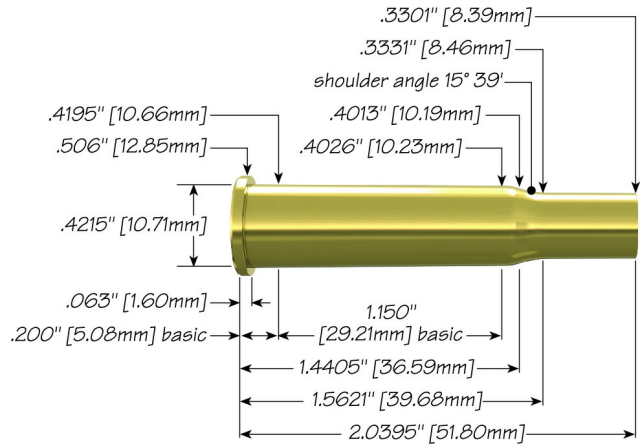



30-30 Winchester with 170 gr SPFN Hot-Cor®



Max Case Length:	2.0395"
Trim-to Length:	2.030"
Max Cart. OAL:	2.550"
RCBS Shell Holder:	# 2
Test Firearm:	Universal Receiver
Barrel Length:	24"



30	Speer Part No.	Weight, grains	COAL Tested	Ballistic Coefficient	Sectional Density
 170 gr SPFN Hot-Cor®	2041	170	2.550	.298	.256

Propellant	Cartridge Case	Primer	START CHARGE		MAXIMUM CHARGE	
			Grain	Velocity (ft/sec)	Grain	Velocity (ft/sec)
Alliant AR-Comp	Federal	Federal 210	27.5	1982	30.4	2165
Alliant Power Pro 2000-MR	Federal	Federal 210	34.1	2133	37.5 C	2318
Alliant Power Pro Varmint	Federal	Federal 210	28.5	2020	30.7	2143
Alliant Reloder 15	Federal	Federal 210	28.5	1875	31.7	2122
Hodgdon CFE 223	Federal	Federal 210	32.9	2102	36.2	2290
Hodgdon LEVERevolution	Federal	Federal 210	32.4	2111	35.7	2303