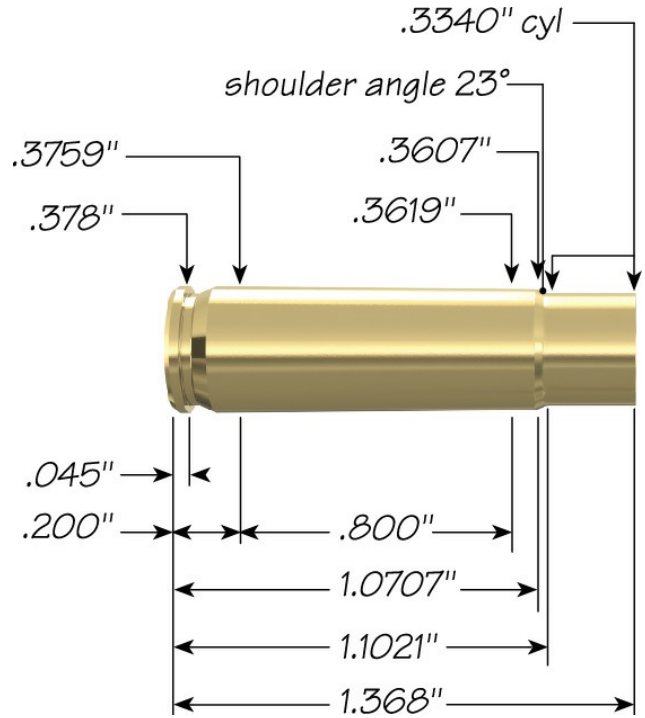



# 300 AAC Blackout with 110 gr JHP



Max Case Length:	1.368"
Trim-to Length:	1.358"
Max Cart. OAL:	2.260"
RCBS Shell Holder:	# 10
Test Firearm:	Universal Receiver
Barrel Length:	16"



30	Speer Part No.	Weight, grains	COAL Tested	Ballistic Coefficient	Sectional Density
 <b>110 gr JHP</b>	1835	110	1.780	.128	.166

Propellant	Cartridge Case	Primer	START CHARGE		MAXIMUM CHARGE	
			Grain	Velocity (ft/sec)	Grain	Velocity (ft/sec)
Accurate No. 9	Lake City	Federal 205	14.1	1987	<b>15.7</b>	2148
Alliant 2400	Lake City	Federal 205	15.8	2039	<b>17.6</b>	2208
Alliant Power Pro 300-MP	Lake City	Federal 205	19.4	2142	<b>21.2</b>	2369
Ramshot Enforcer	Lake City	Federal 205	17.0	2102	<b>19.0</b>	2307
Winchester 296	Lake City	Federal 205	18.3	2123	<b>20.3</b>	2330

