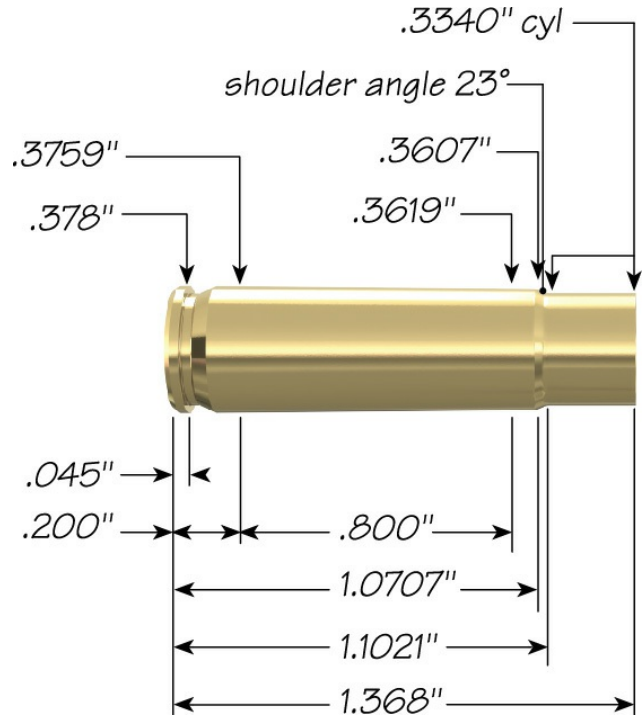


300 AAC Blackout with 130 gr HP



Max Case Length:	1.368"
Trim-to Length:	1.358"
Max Cart. OAL:	2.260"
RCBS Shell Holder:	# 10
Test Firearm:	Universal Receiver
Barrel Length:	16"



30	Speer Part No.	Weight, grains	COAL Tested	Ballistic Coefficient	Sectional Density
----	----------------	----------------	-------------	-----------------------	-------------------



130 gr HP

2005 130 2.060 .244 .196

Propellant	Cartridge Case	Primer	START CHARGE		MAXIMUM CHARGE	
			Grain	Velocity (ft/sec)	Grain	Velocity (ft/sec)
Accurate 5744	Lake City	Federal 205	18.0	1851	19.7 C	2105
Accurate No. 9	Lake City	Federal 205	13.2	1810	14.6	1944
Alliant Power Pro 300-MP	Lake City	Federal 205	18.7	2002	20.5	2175
IMR 4227	Lake City	Federal 205	17.3	1859	19.0 C	2029
Ramshot Enforcer	Lake City	Federal 205	16.4	1976	18.2	2132
Vihtavuori N110	Lake City	Federal 205	16.1	1955	17.9 C	2112

