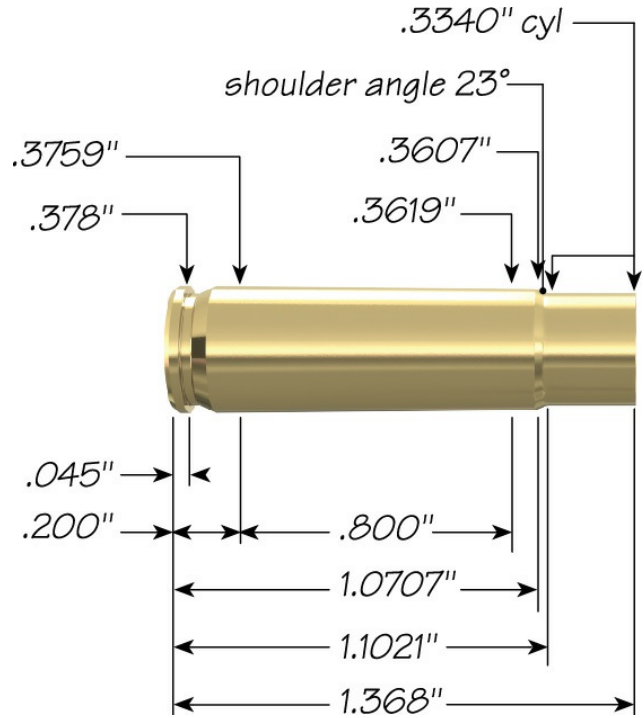



# 300 AAC Blackout with 150 gr Gold-Dot®



Max Case Length:	1.368"
Trim-to Length:	1.358"
Max Cart. OAL:	2.260"
RCBS Shell Holder:	# 10
Test Firearm:	Universal Receiver
Barrel Length:	16"



30	Speer Part No.	Weight, grains	COAL Tested	Ballistic Coefficient	Sectional Density
	150 gr Gold-Dot® 308150BLKGDB	150	2.180	.463	.226

Propellant	Cartridge Case	Primer	START CHARGE		MAXIMUM CHARGE	
			Grain	Velocity (ft/sec)	Grain	Velocity (ft/sec)
Accurate 1680	Lake City	Federal 205	20.5	1785	<b>22.0 C</b>	1934
Accurate 5744	Lake City	Federal 205	18.0	1828	<b>20.0 C</b>	2031
Accurate No. 9	Lake City	Federal 205	12.7	1671	<b>14.1</b>	1818
Alliant Power Pro 300-MP	Lake City	Federal 205	17.2	1786	<b>19.0</b>	1960
Hodgdon H110	Lake City	Federal 205	16.0	1771	<b>17.8</b>	1915
Hodgdon Lil'Gun	Lake City	Federal 205	19.6	2019	<b>21.0 C</b>	2154
IMR 4227	Lake City	Federal 205	17.2	1746	<b>18.8 C</b>	1922

Ramshot Enforcer	Lake City	Federal 205	15.5	1792	<b>17.1</b>	1932
Vihtavuori N110	Lake City	Federal 205	15.1	1805	<b>16.8 C</b>	1960
Vihtavuori N120	Lake City	Federal 205	18.0	1737	<b>19.5 C</b>	1894

[speer-ammo.com](http://speer-ammo.com)