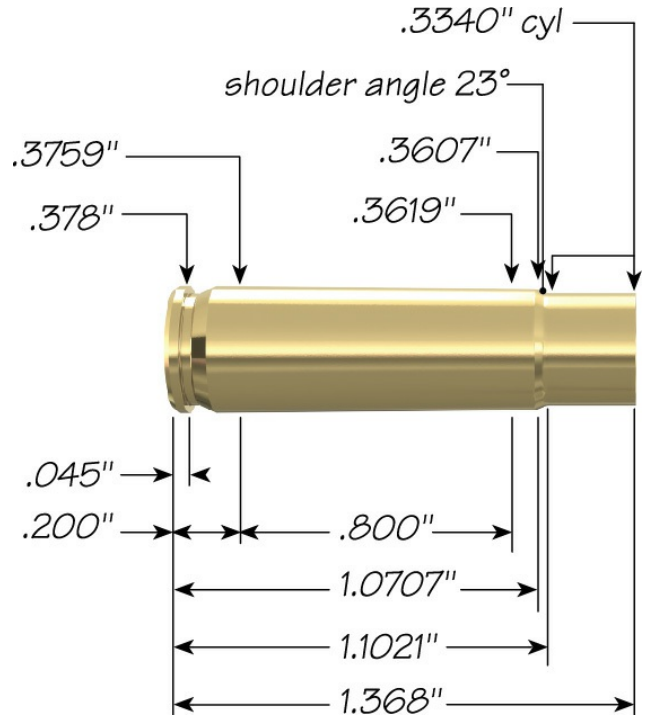






300 AAC Blackout with 150 gr Spitzer BTSP



Max Case Length:	1.368"
Trim-to Length:	1.358"
Max Cart. OAL:	2.260"
RCBS Shell Holder:	# 10
Test Firearm:	Universal Receiver
Barrel Length:	16"



30		Speer Part No.	Weight, grains	COAL Tested	Ballistic Coefficient	Sectional Density
	150 gr Grand Slam® SP/CANN	2026	150	2.190	.295	.226
	150 gr SPFN Hot-Cor®	2011	150	2.190	.255	.226
	150 gr Spitzer BTSP	2022	150	2.190	.417	.226
	150 gr Spitzer SP Hot-Cor®	2023	150	2.190	.377	.226

Propellant	Cartridge Case	Primer	START CHARGE		MAXIMUM CHARGE	
			Grain	Velocity (ft/sec)	Grain	Velocity (ft/sec)
Accurate 5744	Lake City	Federal 205	17.5	1829	18.7 C	1967
Accurate No. 9	Lake City	Federal 205	13.0	1763	14.0	1845

Alliant Power Pro 300-MP	Lake City	Federal 205	17.3	1885	19.2	2068
Hodgdon Li'Gun	Lake City	Federal 205	18.2	2012	20.0 C	2157
IMR 4227	Lake City	Federal 205	16.7	1823	18.5 C	1991
Ramshot Enforcer	Lake City	Federal 205	15.5	1848	17.2	1999
Vihtavuori N110	Lake City	Federal 205	15.0	1830	16.5 C	1955
Vihtavuori N120	Lake City	Federal 205	18.1 C	1860	19.0 C	1947
Winchester 296	Lake City	Federal 205	16.7	1894	18.4	2049

speer-ammo.com