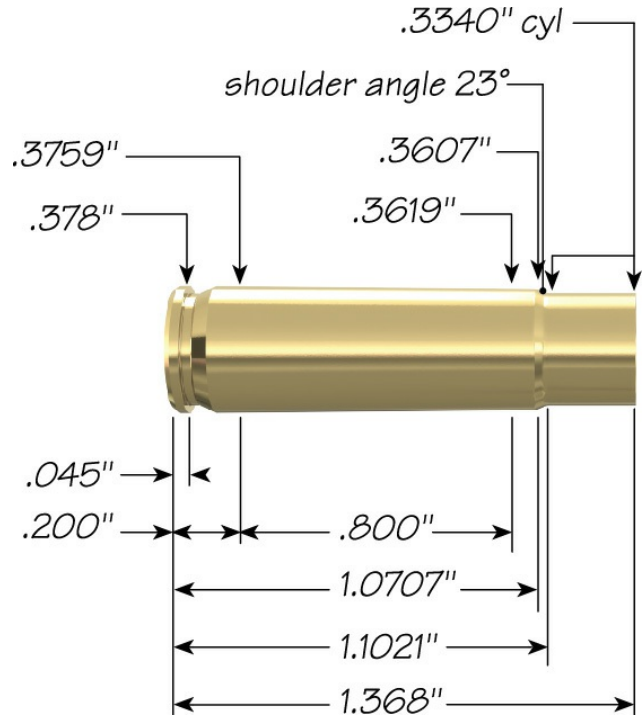





300 AAC Blackout with 165 gr SP Hot-Cor®



Max Case Length:	1.368"
Trim-to Length:	1.358"
Max Cart. OAL:	2.260"
RCBS Shell Holder:	# 10
Test Firearm:	Universal Receiver
Barrel Length:	16"



30		Speer Part No.	Weight, grains	COAL Tested	Ballistic Coefficient	Sectional Density
	165 gr Grand Slam® SP/CANN	2038	165	2.250	.354	.248
	165 gr SP Hot-Cor®	2035	165	2.250	.444	.248
	165 gr Spitzer BTSP	2034	165	2.250	.520	.248

Propellant	Cartridge Case	Primer	START CHARGE		MAXIMUM CHARGE	
			Grain	Velocity (ft/sec)	Grain	Velocity (ft/sec)
Accurate 5744	Lake City	Federal 205	16.9	1732	18.8 C	1912
Accurate No. 9	Lake City	Federal 205	12.1	1622	13.3	1739
Alliant 2400	Lake City	Federal 205	12.3	1583	13.2	1686

Alliant Power Pro 300-MP	Lake City	Federal 205	16.4	1718	18.3	1891
Hodgdon Lil'Gun	Lake City	Federal 205	17.8	1911	19.5 C	2051
IMR 4227	Lake City	Federal 205	15.9	1678	17.4 C	1827
Vihtavuori N110	Lake City	Federal 205	13.8	1684	15.4	1815
Vihtavuori N120	Lake City	Federal 205	17.5 C	1736	18.7 C	1848
Winchester 296	Lake City	Federal 205	15.1	1705	16.4	1804

speer-ammo.com