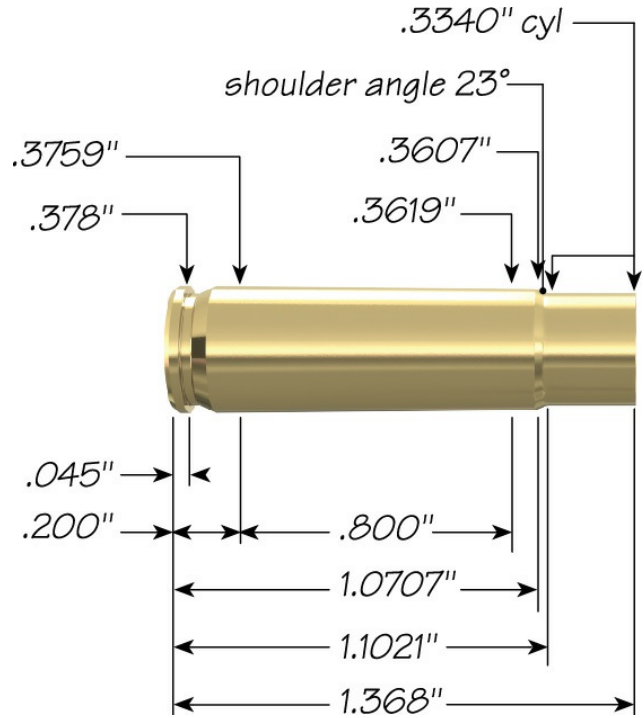





300 AAC Blackout with 180 gr Grand Slam® SP/CANN



Max Case Length:	1.368"
Trim-to Length:	1.358"
Max Cart. OAL:	2.260"
RCBS Shell Holder:	# 10
Test Firearm:	Universal Receiver
Barrel Length:	16"



30		Speer Part No.	Weight, grains	COAL Tested	Ballistic Coefficient	Sectional Density
	180 gr Grand Slam® SP/CANN	2063	180	2.170	.374	.271
	180 gr Spitzer BTSP	2052	180	2.170	.545	.271
	180 gr Spitzer SP Hot-Cor®	2053	180	2.170	.441	.271

Propellant	Cartridge Case	Primer	START CHARGE		MAXIMUM CHARGE	
			Grain	Velocity (ft/sec)	Grain	Velocity (ft/sec)
Accurate 5744	Lake City	Federal 205	15.5	1514	17.0 C	1693
Accurate No. 9	Lake City	Federal 205	11.1	1407	12.3	1528
Alliant Power Pro 300-MP	Lake City	Federal 205	14.2	1510	15.5	1617

IMR 4198	Lake City	Federal 205	15.5 C	1439	16.4 C	1563
IMR 4227	Lake City	Federal 205	14.3	1463	15.8 C	1599
Ramshot Enforcer	Lake City	Federal 205	12.6	1513	13.7	1604
Vihtavuori N110	Lake City	Federal 205	12.7	1488	14.1	1608

speer-ammo.com