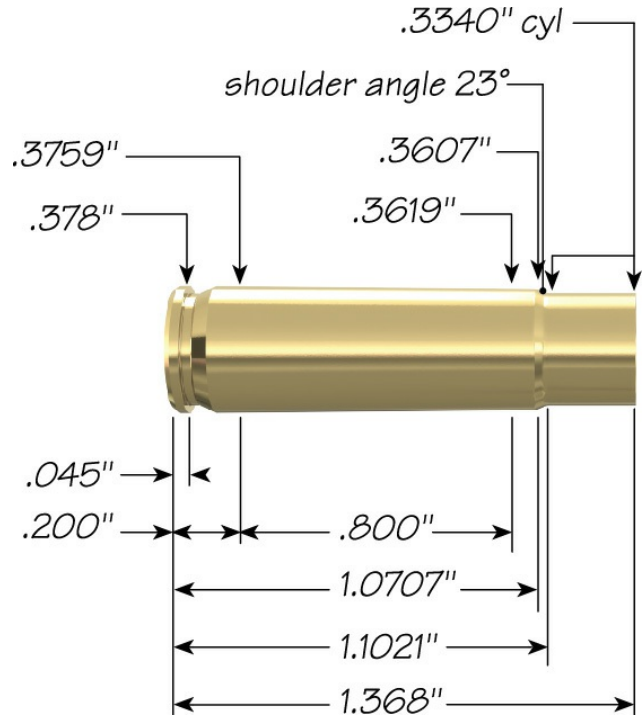



300 AAC Blackout with 200 gr Spitzer SP Hot-Cor®



Max Case Length:	1.368"
Trim-to Length:	1.358"
Max Cart. OAL:	2.260"
RCBS Shell Holder:	# 10
Test Firearm:	Universal Receiver
Barrel Length:	16"



30	Speer Part No.	Weight, grains	COAL Tested	Ballistic Coefficient	Sectional Density
	2211	200	2.160	.478	.301

Propellant	Cartridge Case	Primer	START CHARGE		MAXIMUM CHARGE	
			Grain	Velocity (ft/sec)	Grain	Velocity (ft/sec)
Accurate 1680	Lake City	Federal 205	12.1	958	13.4	1111
Accurate 5744	Lake City	Federal 205	10.8	958	12.0	1099
Accurate LT-30	Lake City	Federal 205	12.3	941	13.4 C	1079
Alliant Power Pro 1200-R	Lake City	Federal 205	12.2	957	13.6	1099
Alliant Reloder 10X	Lake City	Federal 205	12.7	960	13.8 C	1090
Alliant Reloder 7	Lake City	Federal 205	12.1	940	12.9	1088

IMR 4198	Lake City	Federal 205	11.4	942	12.2	1065
IMR 4227	Lake City	Federal 205	10.2	952	11.0	1088
Vihtavuori N120	Lake City	Federal 205	10.5	928	11.7	1083

speer-ammo.com