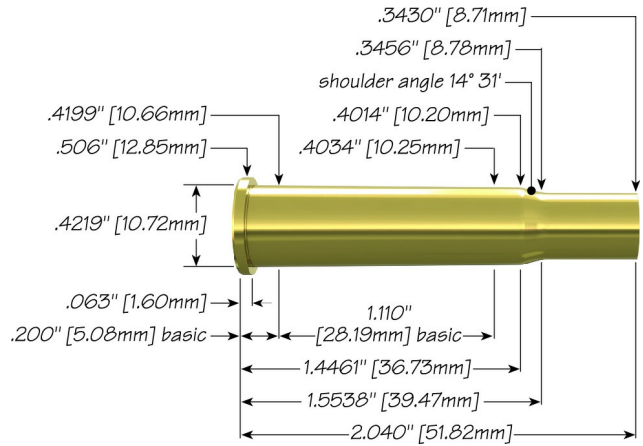


# 32 Winchester Special with 170 gr SPFN Hot-Cor®



**Max Case Length:** 2.040"  
**Trim-to Length:** 2.030"  
**Max Cart. OAL:** 2.565"  
**RCBS Shell Holder:** # 2  
**Test Firearm:** Universal Receiver  
**Barrel Length:** 24"



32	Speer Part No.	Weight, grains	COAL Tested	Ballistic Coefficient	Sectional Density
----	----------------	----------------	-------------	-----------------------	-------------------



**170 gr SPFN Hot-Cor®**

2259 170 2.560 .283 .236

Propellant	Cartridge Case	Primer	START CHARGE		MAXIMUM CHARGE	
			Grain	Velocity (ft/sec)	Grain	Velocity (ft/sec)
Alliant AR-Comp	Federal	Federal 210	30.8	2096	<b>34.2 C</b>	2305
Alliant Power Pro 2000-MR	Federal	Federal 210	37.8	2205	<b>41.9 C</b>	2402
Alliant Power Pro Varmint	Federal	Federal 210	30.8	2063	<b>34.2</b>	2229
Alliant Reloder 15	Federal	Federal 210	31.9	2025	<b>35.0</b>	2214
Hodgdon CFE 223	Federal	Federal 210	35.7	2087	<b>39.5 C</b>	2301
IMR 4166	Federal	Federal 210	29.0	1927	<b>32.2</b>	2102