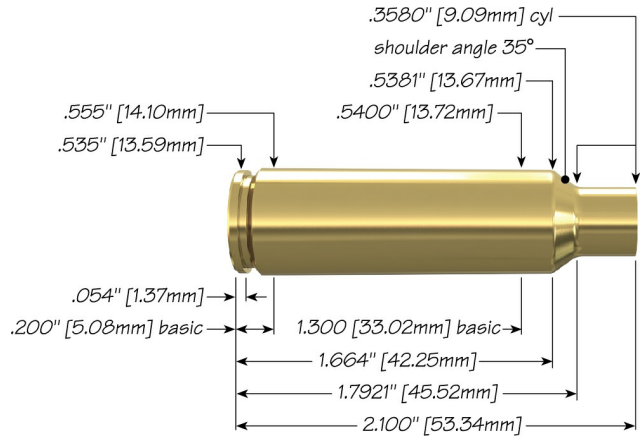



325 Winchester Short Magnum with 150 gr Spitzer SP Hot-Cor®



Max Case Length:	2.100"
Trim-to Length:	2.090"
Max Cart. OAL:	2.860"
RCBS Shell Holder:	# 43
Test Firearm:	Universal Receiver
Barrel Length:	24"



8mm	Speer Part No.	Weight, grains	COAL Tested	Ballistic Coefficient	Sectional Density
	150 gr Spitzer SP Hot-Cor® 2277	150	2.850	.343	.205

Propellant	Cartridge Case	Primer	START CHARGE		MAXIMUM CHARGE	
			Grain	Velocity (ft/sec)	Grain	Velocity (ft/sec)
Alliant Power Pro 2000-MR	Winchester	Federal 215	62.6	2578	69.6	2822
Alliant Reloder 16	Winchester	Federal 215	66.6	2600	74.0 C	2856
Alliant Reloder 17	Winchester	Federal 215	65.2	2536	72.4	2820
Hodgdon H4350	Winchester	Federal 215	67.1	2584	74.6 C	2820
Vihtavuori N550	Winchester	Federal 215	62.1	2545	69.0	2812