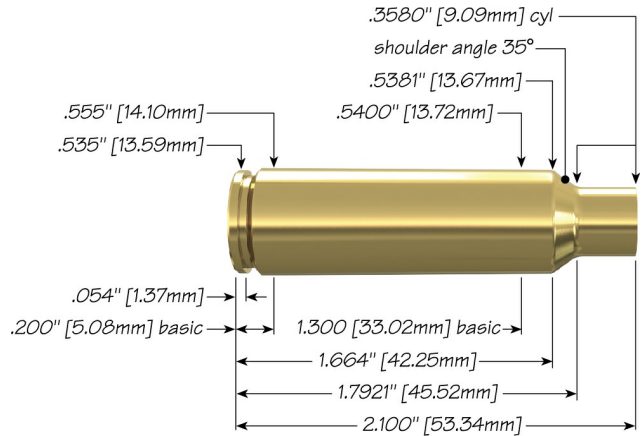



325 Winchester Short Magnum with 170 gr Semi- Spitzer SP Hot-Cor®



Max Case Length:	2.100"
Trim-to Length:	2.090"
Max Cart. OAL:	2.860"
RCBS Shell Holder:	# 43
Test Firearm:	Universal Receiver
Barrel Length:	24"



8mm	Speer Part No.	Weight, grains	COAL Tested	Ballistic Coefficient	Sectional Density	
	170 gr Semi-Spitzer SP Hot-Cor®	2283	170	2.790	.311	.233

Propellant	Cartridge Case	Primer	START CHARGE		MAXIMUM CHARGE	
			Grain	Velocity (ft/sec)	Grain	Velocity (ft/sec)
Alliant Power Pro 2000-MR	Winchester	Federal 215	59.1	2420	65.7	2621
Alliant Power Pro 4000-MR	Winchester	Federal 215	66.4	2455	73.8 C	2696
Alliant Reloder 16	Winchester	Federal 215	63.5	2441	70.6 C	2685
Alliant Reloder 17	Winchester	Federal 215	62.8	2403	69.8	2668
Hodgdon H4350	Winchester	Federal 215	63.5	2418	70.6	2641