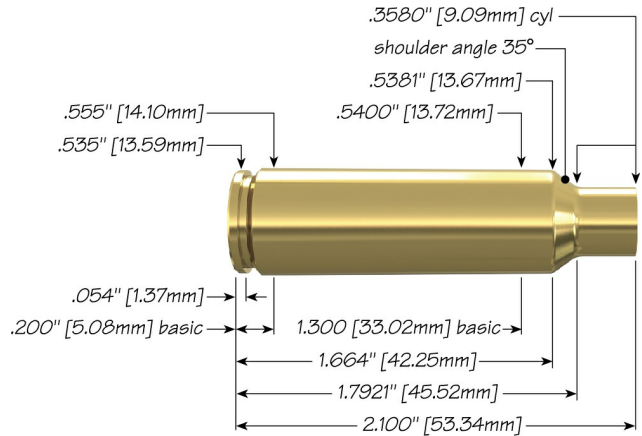



325 Winchester Short Magnum with 200 gr Spitzer SP Hot-Cor®



Max Case Length:	2.100"
Trim-to Length:	2.090"
Max Cart. OAL:	2.860"
RCBS Shell Holder:	# 43
Test Firearm:	Universal Receiver
Barrel Length:	24"



8mm	Speer Part No.	Weight, grains	COAL Tested	Ballistic Coefficient	Sectional Density	
	200 gr Spitzer SP Hot-Cor®	2285	200	2.840	.440	.274

Propellant	Cartridge Case	Primer	START CHARGE		MAXIMUM CHARGE	
			Grain	Velocity (ft/sec)	Grain	Velocity (ft/sec)
Alliant Power Pro 4000-MR	Winchester	Federal 215	60.9	2210	67.7	2438
Alliant Reloder 16	Winchester	Federal 215	58.5	2232	65.0	2415
Alliant Reloder 17	Winchester	Federal 215	58.8	2222	65.3	2433
Alliant Reloder 23	Winchester	Federal 215	63.4	2231	70.4 C	2442
Alliant Reloder 26	Winchester	Federal 215	65.1	2283	71.9 C	2499
IMR 4831	Winchester	Federal 215	61.2	2222	67.9 C	2429