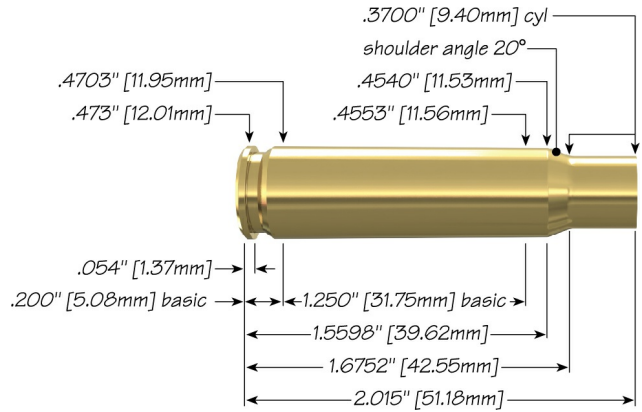



338 Federal with 200 gr Spitzer SP Hot-Cor®



Max Case Length: 2.015"
Trim-to Length: 2.005"
Max Cart. OAL: 2.820"
RCBS Shell Holder: # 3
Test Firearm: Universal Receiver
Barrel Length: 24"



338	Speer Part No.	Weight, grains	COAL Tested	Ballistic Coefficient	Sectional Density
 200 gr Spitzer SP Hot-Cor®	2405	200	2.820	.426	.250

Propellant	Cartridge Case	Primer	START CHARGE		MAXIMUM CHARGE	
			Grain	Velocity (ft/sec)	Grain	Velocity (ft/sec)
Accurate LT-32	Federal	Federal 210	38.2	2342	42.2	2528
Alliant AR-Comp	Federal	Federal 210	41.6	2449	46.2	2651
Alliant Power Pro 1200-R	Federal	Federal 210	38.0	2393	42.2	2579
Alliant Power Pro Varmint	Federal	Federal 210	44.6	2499	49.6	2708
Hodgdon CFE 223	Federal	Federal 210	46.1	2478	51.0 C	2681
IMR 8208 XBR	Federal	Federal 210	41.8	2417	46.4	2630