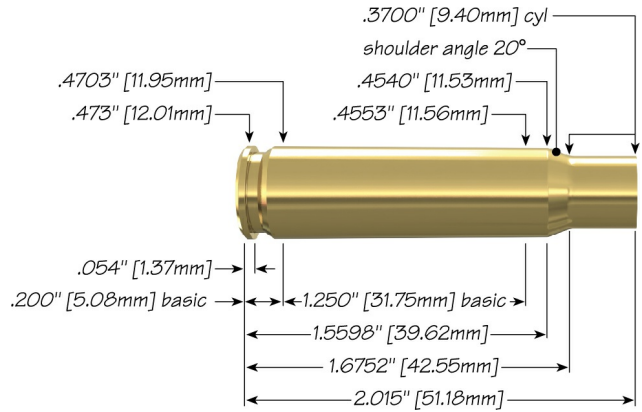



338 Federal with 225 gr Spitzer BTSP



Max Case Length:	2.015"
Trim-to Length:	2.005"
Max Cart. OAL:	2.820"
RCBS Shell Holder:	# 3
Test Firearm:	Universal Receiver
Barrel Length:	24"



338	Speer Part No.	Weight, grains	COAL Tested	Ballistic Coefficient	Sectional Density
 225 gr Spitzer BTSP	2406	225	2.820	.497	.281

Propellant	Cartridge Case	Primer	START CHARGE		MAXIMUM CHARGE	
			Grain	Velocity (ft/sec)	Grain	Velocity (ft/sec)
Accurate LT-32	Federal	Federal 210	35.8	2176	39.8 C	2361
Alliant AR-Comp	Federal	Federal 210	39.4	2296	43.8 C	2486
Alliant Power Pro 2000-MR	Federal	Federal 210	45.5	2341	50.5 C	2551
Alliant Power Pro Varmint	Federal	Federal 210	42.5	2349	46.9 C	2541
Hodgdon CFE 223	Federal	Federal 210	44.1	2357	48.6 C	2544
IMR 8208 XBR	Federal	Federal 210	39.5	2267	43.9 C	2462