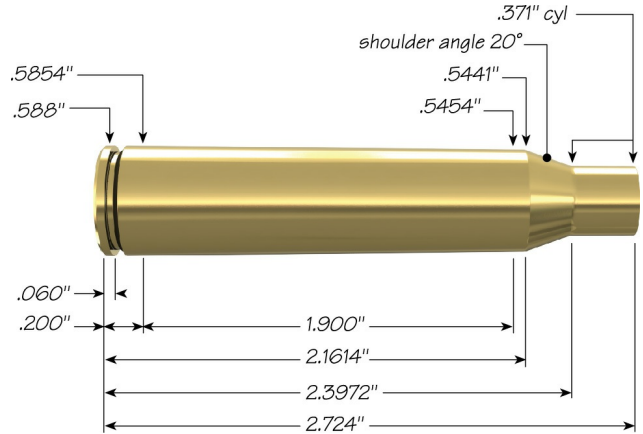


# 338 Lapua Magnum with 250 gr Grand Slam® SP/CANN



<b>Max Case Length:</b>	2.724"
<b>Trim-to Length:</b>	2.714"
<b>Max Cart. OAL:</b>	3.681"
<b>RCBS Shell Holder:</b>	# 37
<b>Test Firearm:</b>	Universal Receiver
<b>Barrel Length:</b>	24"



338	Speer Part No.	Weight, grains	COAL Tested	Ballistic Coefficient	Sectional Density
-----	----------------	----------------	-------------	-----------------------	-------------------



**250 gr Grand Slam® SP/CANN**

2408	250	3.510	.436	.313
------	-----	-------	------	------

Propellant	Cartridge Case	Primer	START CHARGE		MAXIMUM CHARGE	
			Grain	Velocity (ft/sec)	Grain	Velocity (ft/sec)
Alliant Reloder 22	Lapua	Federal 215	75.5	2592	<b>83.9</b>	2808
Alliant Reloder 23	Lapua	Federal 215	77.0	2578	<b>85.6</b>	2811
Alliant Reloder 25	Lapua	Federal 215	81.3	2643	<b>90.3</b>	2845
Alliant Reloder 26	Lapua	Federal 215	79.7	2638	<b>88.5</b>	2876
Alliant Reloder 33	Lapua	Federal 215	92.4	2699	<b>102.7 C</b>	2926
Hodgdon H1000	Lapua	Federal 215	84.2	2606	<b>93.5</b>	2841
Hodgdon Retumbo	Lapua	Federal 215	85.5	2624	<b>95.0</b>	2877
IMR 7828	Lapua	Federal 215	76.6	2585	<b>85.1</b>	2813
Ramshot Magnum	Lapua	Federal 215	88.0	2610	<b>97.5</b>	2869

[speer-ammo.com](http://speer-ammo.com)