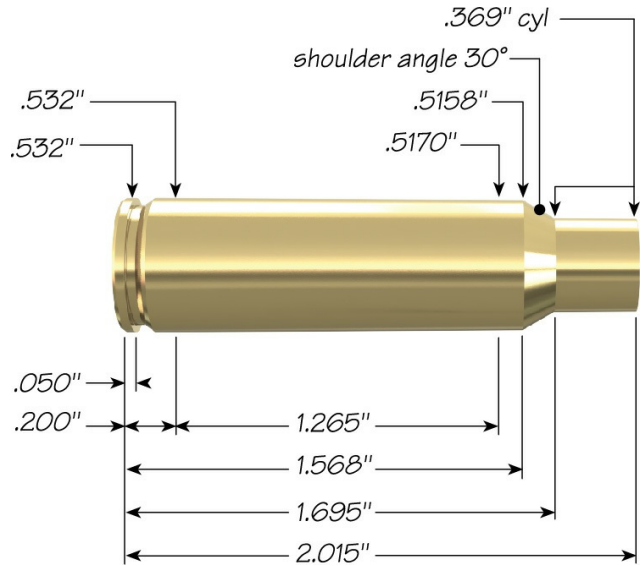



# 338 Ruger Compact Magnum with 200 gr Spitzer SP Hot-Cor®



<b>Max Case Length:</b>	2.015"
<b>Trim-to Length:</b>	2.005"
<b>Max Cart. OAL:</b>	2.840"
<b>RCBS Shell Holder:</b>	# 4
<b>Test Firearm:</b>	Universal Receiver
<b>Barrel Length:</b>	24"



338	Speer Part No.	Weight, grains	COAL Tested	Ballistic Coefficient	Sectional Density
 <b>200 gr Spitzer SP Hot-Cor®</b>	2405	200	2.820	.426	.250

Propellant	Cartridge Case	Primer	START CHARGE		MAXIMUM CHARGE	
			Grain	Velocity (ft/sec)	Grain	Velocity (ft/sec)
Accurate 2700	Hornady	CCI 250	57.7	2654	<b>64.1</b>	2897
Alliant Power Pro 2000-MR	Hornady	CCI 250	55.3	2639	<b>61.4</b>	2885
Alliant Power Pro Varmint	Hornady	CCI 250	50.2	2582	<b>55.8</b>	2810
Alliant Reloder 15	Hornady	CCI 250	51.8	2579	<b>57.5</b>	2818
Alliant Reloder 16	Hornady	CCI 250	58.0	2634	<b>64.4 C</b>	2894
Alliant Reloder 17	Hornady	CCI 250	55.0	2536	<b>61.1</b>	2830
Hodgdon CFE 223	Hornady	CCI 250	52.7	2652	<b>58.5</b>	2826

Hodgdon H4350	Hornady	CCI250	58.2	2621	<b>64.7 C</b>	2858
Hodgdon Varget	Hornady	CCI250	49.9	2592	<b>55.4</b>	2785
IMR 4064	Hornady	CCI250	50.0	2537	<b>55.5</b>	2782
IMR 4451	Hornady	CCI250	56.0	2515	<b>62.1 C</b>	2766
Ramshot Big Game	Hornady	CCI250	56.5	2647	<b>62.8</b>	2865
Vihtavuori N550	Hornady	CCI250	53.9	2552	<b>59.9</b>	2813
Winchester 760	Hornady	CCI250	57.2	2629	<b>63.5</b>	2863

[speer-ammo.com](http://speer-ammo.com)