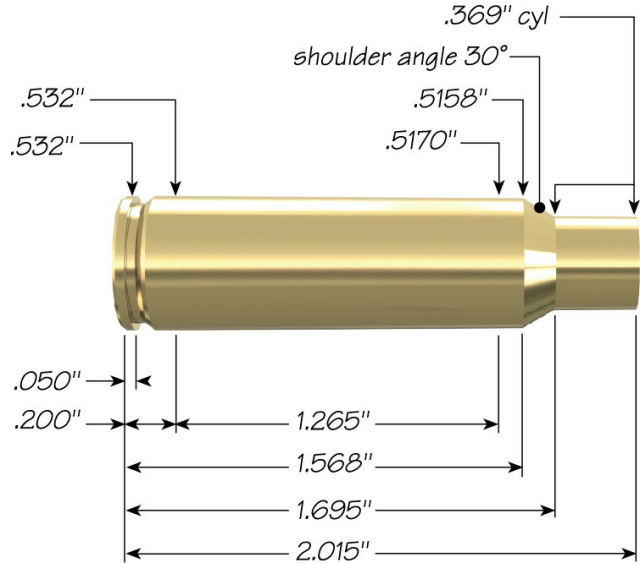



338 Ruger Compact Magnum with 225 gr Spitzer BTSP



Max Case Length:	2.015"
Trim-to Length:	2.005"
Max Cart. OAL:	2.840"
RCBS Shell Holder:	# 4
Test Firearm:	Universal Receiver
Barrel Length:	24"



338	Speer Part No.	Weight, grains	COAL Tested	Ballistic Coefficient	Sectional Density
 225 gr Spitzer BTSP	2406	225	2.840	.497	.281

Propellant	Cartridge Case	Primer	START CHARGE		MAXIMUM CHARGE	
			Grain	Velocity (ft/sec)	Grain	Velocity (ft/sec)
Accurate 2700	Hornady	CCI 250	53.6	2476	59.5	2704
Alliant Power Pro 2000-MR	Hornady	CCI 250	51.7	2467	57.4	2706
Alliant Power Pro Varmint	Hornady	CCI 250	46.8	2407	52.0	2622
Alliant Reloder 15	Hornady	CCI 250	48.7	2433	54.1	2655
Alliant Reloder 16	Hornady	CCI 250	53.6	2474	59.5 C	2712
Alliant Reloder 17	Hornady	CCI 250	51.1	2401	56.8	2661
Hodgdon CFE 223	Hornady	CCI 250	48.5	2398	53.9	2620

Hodgdon H4350	Hornady	CCI250	53.9	2462	59.9 C	2670
Hodgdon Varget	Hornady	CCI250	47.0	2438	52.0	2609
IMR 4064	Hornady	CCI250	47.2	2422	52.4	2622
IMR 4451	Hornady	CCI250	52.3	2351	58.1 C	2578
Ramshot Big Game	Hornady	CCI250	52.7	2431	58.6	2675
Vihtavuori N550	Hornady	CCI250	50.0	2363	55.5	2627
Winchester 760	Hornady	CCI250	52.2	2426	58.0	2663

speer-ammo.com