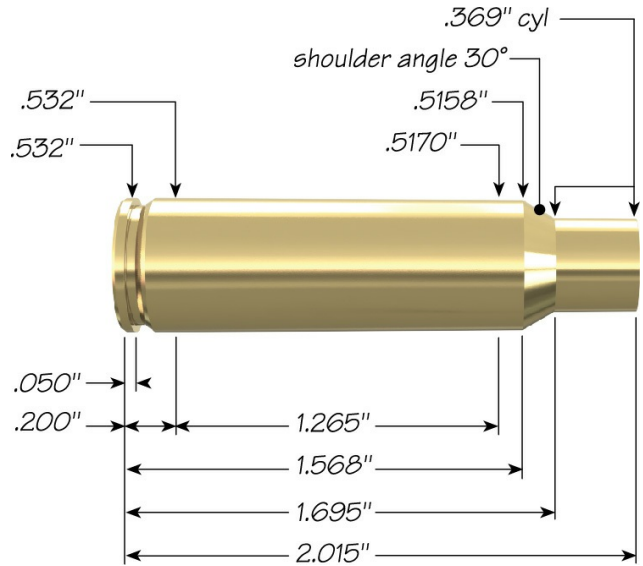



# 338 Ruger Compact Magnum with 250 gr Grand Slam® SP/CANN



<b>Max Case Length:</b>	2.015"
<b>Trim-to Length:</b>	2.005"
<b>Max Cart. OAL:</b>	2.840"
<b>RCBS Shell Holder:</b>	# 4
<b>Test Firearm:</b>	Universal Receiver
<b>Barrel Length:</b>	24"



338	Speer Part No.	Weight, grains	COAL Tested	Ballistic Coefficient	Sectional Density
 <b>250 gr Grand Slam® SP/CANN</b>	2408	250	2.800	.436	.313

Propellant	Cartridge Case	Primer	START CHARGE		MAXIMUM CHARGE	
			Grain	Velocity (ft/sec)	Grain	Velocity (ft/sec)
Accurate 2700	Hornady	CCI 250	52.1	2331	<b>57.9 C</b>	2548
Alliant Power Pro 2000-MR	Hornady	CCI 250	50.5	2306	<b>56.1</b>	2555
Alliant Power Pro 4000-MR	Hornady	CCI 250	55.5	2373	<b>61.7 C</b>	2566
Alliant Power Pro Varmint	Hornady	CCI 250	45.3	2237	<b>50.3</b>	2446
Alliant Reloder 15	Hornady	CCI 250	47.0	2278	<b>52.2</b>	2491
Alliant Reloder 16	Hornady	CCI 250	53.2	2366	<b>59.1 C</b>	2581
Alliant Reloder 17	Hornady	CCI 250	50.1	2266	<b>55.7 C</b>	2523

Alliant Reloder 19	Hornady	CCI250	57.4	2378	<b>63.8 C</b>	2598
Hodgdon CFE 223	Hornady	CCI250	49.0	2281	<b>53.1</b>	2455
Hodgdon H4350	Hornady	CCI250	52.7	2317	<b>58.5 C</b>	2527
IMR 4451	Hornady	CCI250	51.3	2231	<b>57.0 C</b>	2449
Ramshot Big Game	Hornady	CCI250	51.6	2333	<b>57.3</b>	2537
Vihtavuori N550	Hornady	CCI250	48.9	2228	<b>54.3</b>	2464
Winchester 760	Hornady	CCI250	51.1	2312	<b>56.4</b>	2514

[speer-ammo.com](http://speer-ammo.com)