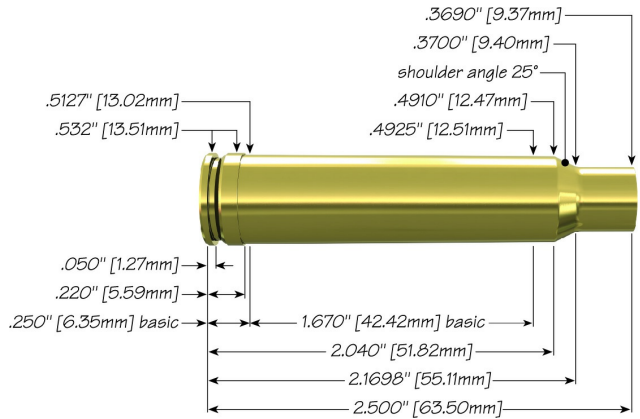


338 Winchester Magnum with 200 gr Spitzer SP Hot- Cor®



Max Case Length: 2.500"
Trim-to Length: 2.490"
Max Cart. OAL: 3.340
RCBS Shell Holder: # 4
Test Firearm:
Barrel Length:



338	Speer Part No.	Weight, grains	COAL Tested	Ballistic Coefficient	Sectional Density
-----	----------------	----------------	-------------	-----------------------	-------------------



**200 gr Spitzer SP
Hot-Cor®**

2405 200 3.300 .426 .250

Propellant	Cartridge Case	Primer	START CHARGE		MAXIMUM CHARGE	
			Grain	Velocity (ft/sec)	Grain	Velocity (ft/sec)
Alliant Power Pro 4000-MR	Federal	Federal 215	70.8	2805	78.7 C	3056
Alliant Reloder 16	Federal	Federal 215	66.8	2788	74.2 C	3037
Alliant Reloder 17	Federal	Federal 215	66.5	2743	73.9	3005
IMR 4451	Federal	Federal 215	68.2	2713	75.8 C	2969