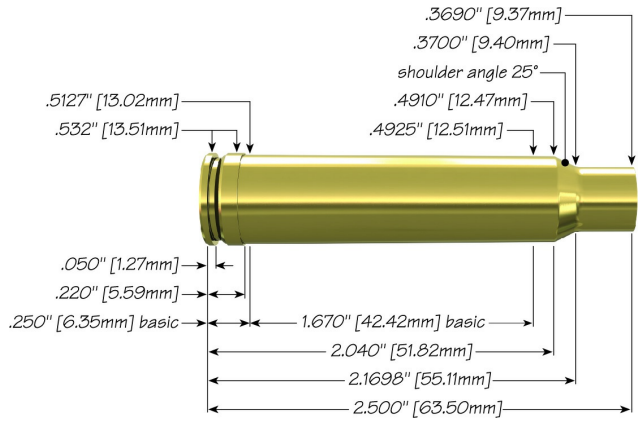



338 Winchester Magnum with 225 gr Spitzer BTSP



Max Case Length: 2.500"
Trim-to Length: 2.490"
Max Cart. OAL: 3.340"
RCBS Shell Holder: # 4
Test Firearm:
Barrel Length:



338	Speer Part No.	Weight, grains	COAL Tested	Ballistic Coefficient	Sectional Density
 225 gr Spitzer BTSP	2406	225	3.340	.497	.281

Propellant	Cartridge Case	Primer	START CHARGE		MAXIMUM CHARGE	
			Grain	Velocity (ft/sec)	Grain	Velocity (ft/sec)
Alliant Power Pro 4000-MR	Federal	Federal 215	65.6	2635	72.6 C	2861
Alliant Reloder 16	Federal	Federal 215	63.5	2617	70.6 C	2854
Alliant Reloder 17	Federal	Federal 215	62.2	2584	69.0	2826
Alliant Reloder 23	Federal	Federal 215	69.5	2648	72.4 C	2736
Alliant Reloder 26	Federal	Federal 215	70.5	2650	78.3 C	2933