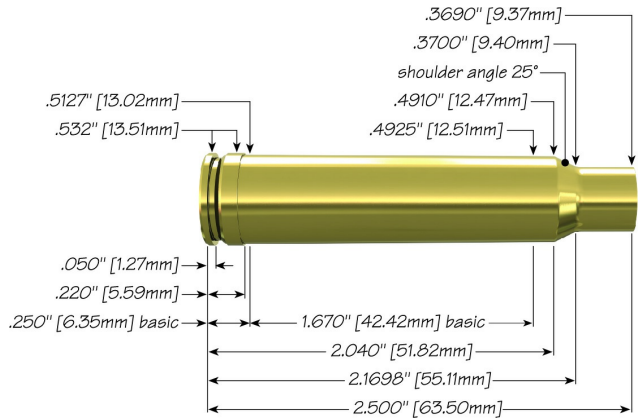



# 338 Winchester Magnum with 250 gr Grand Slam® SP/CANN



**Max Case Length:** 2.500"  
**Trim-to Length:** 2.490"  
**Max Cart. OAL:** 3.340  
**RCBS Shell Holder:** # 4  
**Test Firearm:**  
**Barrel Length:**



338	Speer Part No.	Weight, grains	COAL Tested	Ballistic Coefficient	Sectional Density
	2408	250	3.300	.436	.313

Propellant	Cartridge Case	Primer	START CHARGE		MAXIMUM CHARGE	
			Grain	Velocity (ft/sec)	Grain	Velocity (ft/sec)
Alliant Power Pro 4000-MR	Federal	Federal 215	64.6	2463	<b>71.8 C</b>	2689
Alliant Reloder 16	Federal	Federal 215	61.5	2424	<b>68.3 C</b>	2655
Alliant Reloder 17	Federal	Federal 215	61.7	2430	<b>68.6</b>	2661
Alliant Reloder 23	Federal	Federal 215	66.1	2444	<b>72.3 C</b>	2641
Alliant Reloder 26	Federal	Federal 215	68.9	2502	<b>76.5 C</b>	2761