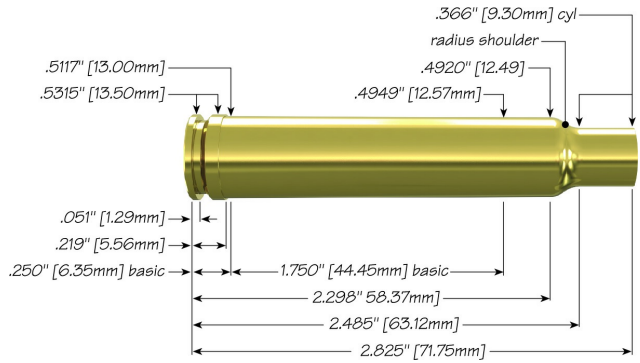



# 340 Weatherby Magnum with 200 gr Spitzer SP Hot- Cor®



**Max Case Length:** 2.825"  
**Trim-to Length:** 2.815"  
**Max Cart. OAL:** 3.675"  
**RCBS Shell Holder:** # 4  
**Test Firearm:**  
**Barrel Length:**



338	Speer Part No.	Weight, grains	COAL Tested	Ballistic Coefficient	Sectional Density
	2405	200	3.560	.426	.250

**200 gr Spitzer SP  
Hot-Cor®**

Propellant	Cartridge Case	Primer	START CHARGE		MAXIMUM CHARGE	
			Grain	Velocity (ft/sec)	Grain	Velocity (ft/sec)
Alliant Reloder 17	Federal	Federal 215	70.7	2831	<b>78.6</b>	3100

[speer-ammo.com](http://speer-ammo.com)