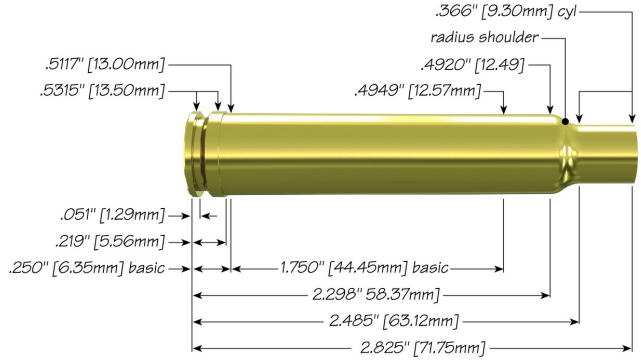



340 Weatherby Magnum with 225 gr Spitzer BTSP



Max Case Length: 2.825"
Trim-to Length: 2.815"
Max Cart. OAL: 3.675"
RCBS Shell Holder: # 4
Test Firearm:
Barrel Length:



338	Speer Part No.	Weight, grains	COAL Tested	Ballistic Coefficient	Sectional Density
 225 gr Spitzer BTSP	2406	225	3.670	.497	.281

Propellant	Cartridge Case	Primer	START CHARGE		MAXIMUM CHARGE	
			Grain	Velocity (ft/sec)	Grain	Velocity (ft/sec)
Alliant Power Pro 4000-MR	Federal	Federal 215	72.9	2697	81.0	2956
Alliant Reloder 17	Federal	Federal 215	66.7	2657	74.1	2905
Alliant Reloder 23	Federal	Federal 215	75.4	2687	83.8 C	2951
Alliant Reloder 26	Federal	Federal 215	77.6	2694	86.2	3013