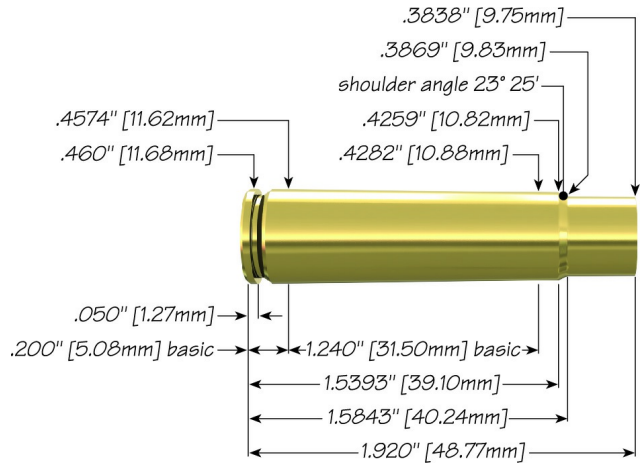



35 Remington with 180 gr SPFN Hot-Cor®



Max Case Length: 1.920"
Trim-to Length: 1.910"
Max Cart. OAL: 2.525"
RCBS Shell Holder: # 9
Test Firearm:
Barrel Length:



35	Speer Part No.	Weight, grains	COAL Tested	Ballistic Coefficient	Sectional Density
	180 gr SPFN Hot-Cor® 2435	180	2.470	.236	.201

Propellant	Cartridge Case	Primer	START CHARGE		MAXIMUM CHARGE	
			Grain	Velocity (ft/sec)	Grain	Velocity (ft/sec)
Accurate LT-32	Federal	Federal 210	28.5	1946	30.8	2066
Alliant AR-Comp	Federal	Federal 210	33.6	2058	36.7	2211
Alliant Power Pro 1200-R	Federal	Federal 210	28.5	1973	30.6	2086
Alliant Power Pro Varmint	Federal	Federal 210	35.1	2025	37.9	2153
Alliant Reloder 10X	Federal	Federal 210	28.5	1968	29.9	2024