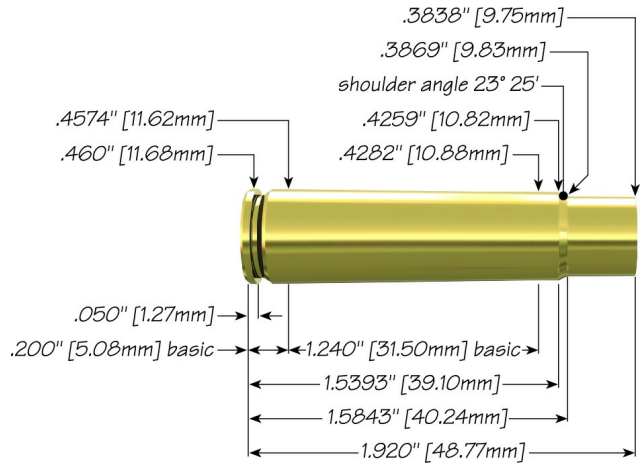



# 35 Remington with 220 gr SPFN Hot-Cor®



**Max Case Length:** 1.920"  
**Trim-to Length:** 1.910"  
**Max Cart. OAL:** 2.525"  
**RCBS Shell Holder:** # 9  
**Test Firearm:**  
**Barrel Length:**



35	Speer Part No.	Weight, grains	COAL Tested	Ballistic Coefficient	Sectional Density
 <b>220 gr SPFN Hot-Cor®</b>	2439	220	2.470"	.286	.245

Propellant	Cartridge Case	Primer	START CHARGE		MAXIMUM CHARGE	
			Grain	Velocity (ft/sec)	Grain	Velocity (ft/sec)
Alliant AR-Comp	Federal	Federal 210	30.2	1779	<b>32.9</b>	1920
Alliant Power Pro 2000-MR	Federal	Federal 210	38.0	1920	<b>41.1 C</b>	2028
Alliant Power Pro Varmint	Federal	Federal 210	29.7	1650	<b>32.6</b>	1822
Alliant Reloder 15	Federal	Federal 210	31.3	1638	<b>34.8</b>	1819
Hodgdon CFE 223	Federal	Federal 210	32.9	1797	<b>35.3</b>	1900
IMR 8208 XBR	Federal	Federal 210	29.0	1647	<b>32.1</b>	1840