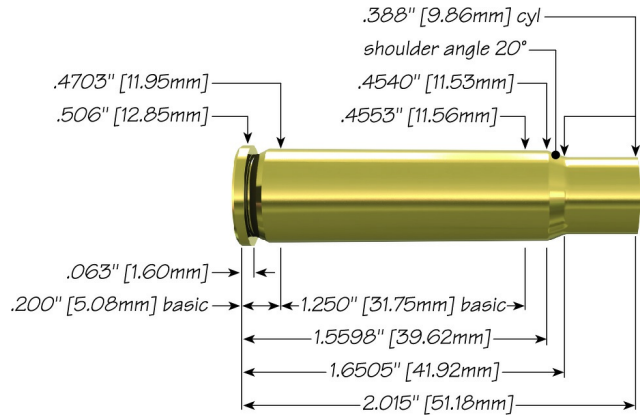


356 Winchester with 180 gr SPFN Hot-Cor®



Max Case Length: 2.015"
Trim-to Length: 2.005"
Max Cart. OAL: 2.560"
RCBS Shell Holder: # 2
Test Firearm: Universal Receiver
Barrel Length: 24"



| 35 | Speer Part No. | Weight, grains | COAL Tested | Ballistic Coefficient | Sectional Density |
|----|----------------|----------------|-------------|-----------------------|-------------------|
|----|----------------|----------------|-------------|-----------------------|-------------------|



180 gr SPFN Hot-Cor®

2435 180 2.550 .236 .201

| Propellant | Cartridge Case | Primer | START CHARGE | | MAXIMUM CHARGE | |
|--------------|----------------|---------|--------------|-------------------|----------------|-------------------|
| | | | Grain | Velocity (ft/sec) | Grain | Velocity (ft/sec) |
| IMR 4166 | Winchester | CCI 200 | 43.5 | 2322 | 47.9 | 2509 |
| IMR 8208 XBR | Winchester | CCI 200 | 44.5 | 2445 | 48.5 | 2644 |