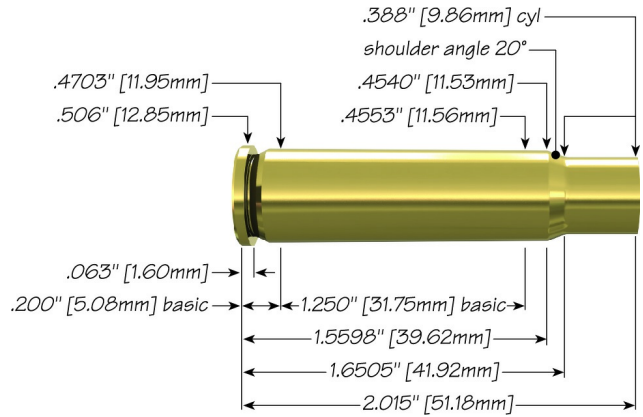



356 Winchester with 220 gr SPFN Hot-Cor®



Max Case Length: 2.015"
Trim-to Length: 2.005"
Max Cart. OAL: 2.560"
RCBS Shell Holder: # 2
Test Firearm: Universal Receiver
Barrel Length: 24"



35	Speer Part No.	Weight, grains	COAL Tested	Ballistic Coefficient	Sectional Density
	220 gr SPFN Hot-Cor® 2439	220	2.550	.286	.245

Propellant	Cartridge Case	Primer	START CHARGE		MAXIMUM CHARGE	
			Grain	Velocity (ft/sec)	Grain	Velocity (ft/sec)
Alliant AR-Comp	Winchester	CCI 200	39.0	2173	44.0	2389
Alliant Power Pro Varmint	Winchester	CCI 200	42.5	2234	46.4	2381
IMR 4166	Winchester	CCI 200	40.5	2193	43.8	2339