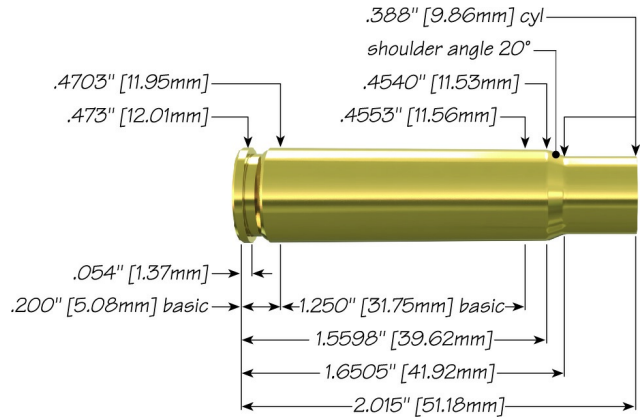



358 Winchester with 220 gr SPFN Hot-Cor®



Max Case Length:	2.015"
Trim-to Length:	2.005"
Max Cart. OAL:	2.780"
RCBS Shell Holder:	# 3
Test Firearm:	Universal Receiver
Barrel Length:	24"



35	Speer Part No.	Weight, grains	COAL Tested	Ballistic Coefficient	Sectional Density	
	220 gr SPFN Hot-Cor®	2439	220	2.565	.286	.245

Propellant	Cartridge Case	Primer	START CHARGE		MAXIMUM CHARGE	
			Grain	Velocity (ft/sec)	Grain	Velocity (ft/sec)
Alliant Power Pro Varmint	Hornady	CCI 200	47.0	2342	50.6	2472
IMR 4166	Hornady	CCI 200	42.5	2147	45.8	2285
IMR 8208 XBR	Hornady	CCI 200	43.0	2262	46.3	2392