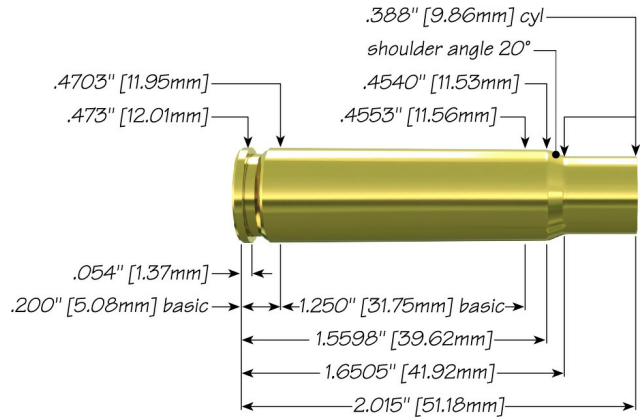



# 358 Winchester with 250 gr Spitzer SP Hot-Cor®



**Max Case Length:** 2.015"  
**Trim-to Length:** 2.005"  
**Max Cart. OAL:** 2.780"  
**RCBS Shell Holder:** # 3  
**Test Firearm:** Universal Receiver  
**Barrel Length:** 24"



35	Speer Part No.	Weight, grains	COAL Tested	Ballistic Coefficient	Sectional Density
	<b>250 gr Spitzer SP Hot-Cor®</b> 2453	250	2.775	.422	.279

Propellant	Cartridge Case	Primer	START CHARGE		MAXIMUM CHARGE	
			Grain	Velocity (ft/sec)	Grain	Velocity (ft/sec)
Alliant Power Pro Varmint	Hornady	CCI 200	42.0	2120	<b>46.4</b>	2298
Hodgdon Benchmark	Hornady	CCI 200	40.0	2118	<b>43.3</b>	2242
IMR 8208 XBR	Hornady	CCI 200	40.0	2063	<b>43.6</b>	2240