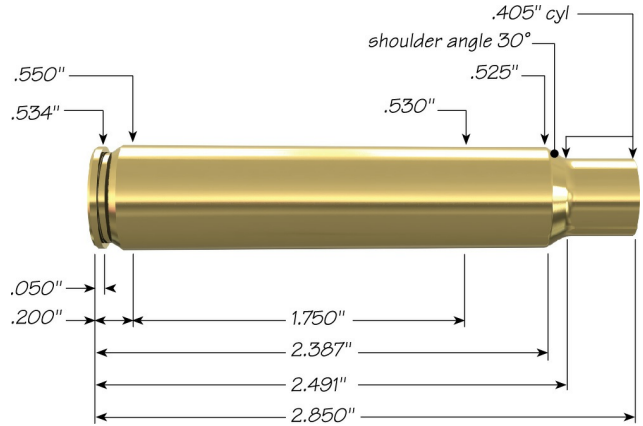


375 Remington Ultra Magnum with 270 gr Spitzer BTSP



Max Case Length:	2.850"
Trim-to Length:	2.840"
Max Cart. OAL:	3.600"
RCBS Shell Holder:	# 38
Test Firearm:	Universal Receiver
Barrel Length:	24"



375	Speer Part No.	Weight, grains	COAL Tested	Ballistic Coefficient	Sectional Density
-----	----------------	----------------	-------------	-----------------------	-------------------



**270 gr Spitzer
BTSP**

2472	270	3.600	0.478	0.274
------	-----	-------	-------	-------

Propellant	Cartridge Case	Primer	START CHARGE		MAXIMUM CHARGE	
			Grain	Velocity (ft/sec)	Grain	Velocity (ft/sec)
Accurate 4350	Remington	CCI 250	86.9	2708	96.6	3018
Alliant Power Pro 4000-MR	Remington	CCI 250	87.9	2778	97.7	3032
Alliant Reloder 16	Remington	CCI 250	85.0	2748	94.4	3018
Alliant Reloder 17	Remington	CCI 250	82.3	2701	91.4	3001
Alliant Reloder 19	Remington	CCI 250	93.2	2775	103.5 C	3072
Alliant Reloder 22	Remington	CCI 250	89.8	2717	99.8	3043
Alliant Reloder 23	Remington	CCI 250	90.9	2776	101.0 C	3026
Hodgdon H4350	Remington	CCI 250	85.2	2726	94.7	2992
Hodgdon H4831	Remington	CCI 250	91.5	2712	101.7	2984

IMR 7828	Remington	CCI250	93.9	2745	104.3 C	3038
Ramshot Hunter	Remington	CCI250	87.9	2779	97.7	3000
Vihtavuori N560	Remington	CCI250	93.3	2742	103.7 C	3054

speer-ammo.com