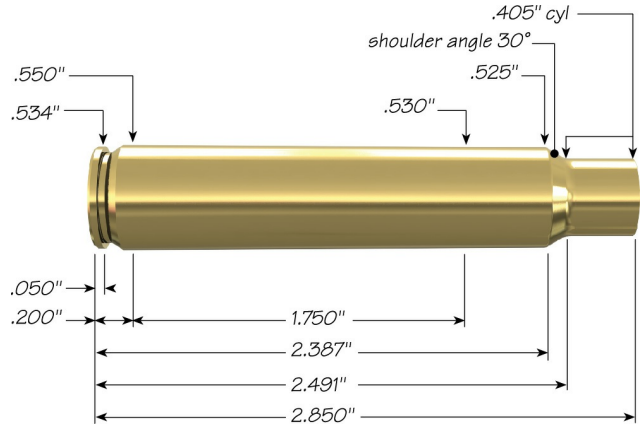


375 Remington Ultra Magnum with 285 gr Grand Slam® SP/CANN



Max Case Length:	2.850"
Trim-to Length:	2.840"
Max Cart. OAL:	3.600"
RCBS Shell Holder:	# 38
Test Firearm:	Universal Receiver
Barrel Length:	24"



375	Speer Part No.	Weight, grains	COAL Tested	Ballistic Coefficient	Sectional Density
-----	----------------	----------------	-------------	-----------------------	-------------------



285 gr Grand Slam® SP/CANN

2473	285	3.580	0.354	0.290
------	-----	-------	-------	-------

Propellant	Cartridge Case	Primer	START CHARGE		MAXIMUM CHARGE	
			Grain	Velocity (ft/sec)	Grain	Velocity (ft/sec)
Accurate 4350	Remington	CCI 250	85.6	2635	95.1	2908
Alliant Power Pro 4000-MR	Remington	CCI 250	86.4	2680	96.0	2943
Alliant Reloder 16	Remington	CCI 250	84.0	2667	93.3	2920
Alliant Reloder 17	Remington	CCI 250	80.6	2617	89.6	2903
Alliant Reloder 19	Remington	CCI 250	93.5	2710	103.9 C	2990
Alliant Reloder 23	Remington	CCI 250	91.4	2698	101.5 C	2958
Alliant Reloder 26	Remington	CCI 250	93.4	2710	103.8 C	3021
Hodgdon H4350	Remington	CCI 250	83.3	2617	92.5	2878
Hodgdon H4831	Remington	CCI 250	90.4	2648	100.4	2909

IMR 7828	Remington	CCI250	93.3	2668	103.7 C	2962
Ramshot Hunter	Remington	CCI250	83.2	2608	92.4	2859
Vihtavuori N560	Remington	CCI250	91.5	2656	101.7	2953

speer-ammo.com