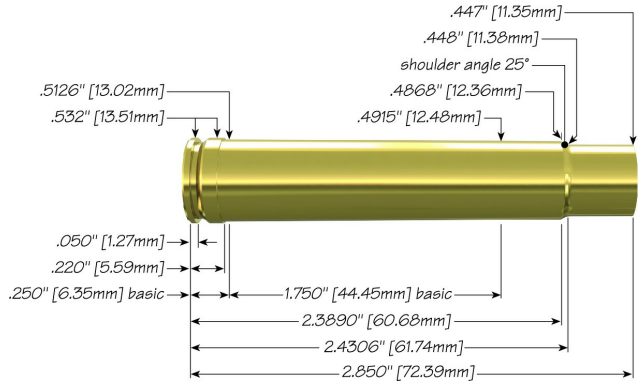


416 Remington Magnum with 350 gr Mag-Tip SP Hot-Cor®



Max Case Length:	2.850"
Trim-to Length:	2.840"
Max Cart. OAL:	3.600"
RCBS Shell Holder:	# 4
Test Firearm:	Universal Receiver
Barrel Length:	24"



416	Speer Part No.	Weight, grains	COAL Tested	Ballistic Coefficient	Sectional Density
-----	----------------	----------------	-------------	-----------------------	-------------------



**350 gr Mag-Tip SP
Hot-Cor®**

2477 350 3.580 .332 .289

Propellant	Cartridge Case	Primer	START CHARGE		MAXIMUM CHARGE	
			Grain	Velocity (ft/sec)	Grain	Velocity (ft/sec)
Alliant AR-Comp	Federal	Federal 215	75.5	2423	83.9 C	2652
Alliant Power Pro 2000-MR	Federal	Federal 215	87.6	2568	97.3 C	2811
Alliant Power Pro Varmint	Federal	Federal 215	77.0	2483	85.5	2685
Alliant Reloder 17	Federal	Federal 215	84.5	2466	93.9 C	2732
IMR 4451	Federal	Federal 215	81.0	2342	90.0 C	2563