

# 416 Ruger with 350 gr Mag-Tip SP Hot-Cor®



**Max Case Length:** 2.580"

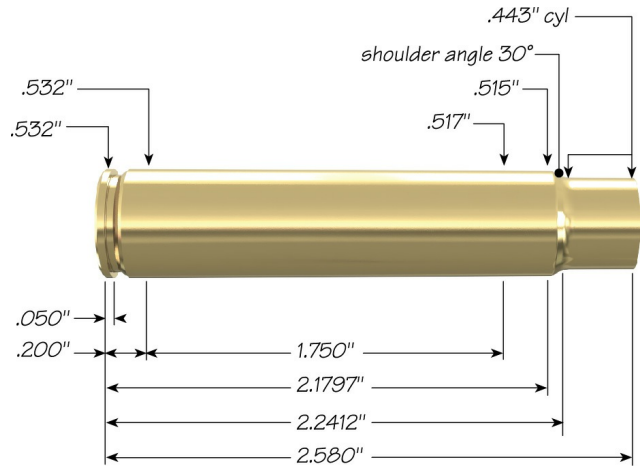
**Trim-to Length:** 2.570"


**Max Cart. OAL:** 3.340"

**RCBS Shell Holder:** # 4

**Test Firearm:** Universal Receiver

**Barrel Length:** 24"



416	Speer Part No.	Weight, grains	COAL Tested	Ballistic Coefficient	Sectional Density
 <b>350 gr Mag-Tip SP Hot-Cor®</b>	2477	350	3.330	.332	.289

Propellant	Cartridge Case	Primer	START CHARGE		MAXIMUM CHARGE	
			Grain	Velocity (ft/sec)	Grain	Velocity (ft/sec)
Accurate 2520	Hornady	CCI 250	73.2	2410	<b>81.3</b>	2639
Alliant AR-Comp	Hornady	CCI 250	71.5	2368	<b>79.4</b>	2572
Alliant Power Pro 2000-MR	Hornady	CCI 250	82.1	2490	<b>91.2 C</b>	2726
Alliant Power Pro Varmint	Hornady	CCI 250	72.5	2387	<b>80.5</b>	2607
Alliant Reloder 15	Hornady	CCI 250	73.8	2415	<b>82.0</b>	2614
Alliant Reloder 17	Hornady	CCI 250	79.6	2430	<b>88.4 C</b>	2675
Hodgdon CFE 223	Hornady	CCI 250	80.3	2473	<b>89.2</b>	2668
Hodgdon H335	Hornady	CCI 250	70.7	2365	<b>78.5</b>	2562
Hodgdon Varget	Hornady	CCI 250	72.3	2392	<b>79.7</b>	2587

Ramshot Big Game	Hornady	CCI250	79.4	2469	<b>87.4 C</b>	2653
Vihtavuori N540	Hornady	CCI250	74.0	2408	<b>81.7</b>	2598
Winchester 760	Hornady	CCI250	83.4	2495	<b>93.0 C</b>	2706

[speer-ammo.com](http://speer-ammo.com)